

# ***TECHNICAL INFORMATION***

# ***INFORMACION TECNICA***

**CITIZEN QUARTZ**

**Cal. No. 6765 A**

**Cal. No. 6766 A**



**This watch (except band) needs to be repaired by the CITIZEN SERVICE CENTER.**

**Todas las piezas de este reloj (excluyendo la pulsera) deber n ser reparadas por un CENTRO DE SERVICIO CITIZEN.**

 **CITIZEN**

CITIZEN IS A REGISTERED TRADEMARK OF CITIZEN WATCH CO., JAPAN.

## Contents

§1. OUTLINE .....	1
§2. SPECIFICATIONS .....	1
§3. USING THE WATCH .....	2
§4. MAIN COMPONENTS AND FUNCTIONS .....	2
§5. SETTING THE TIME .....	4
§6. SETTING THE CALENDAR .....	4
§7. SWITCHING MODES .....	6
§8. NORMAL DISPLAY .....	6
§9. ALARM 1 (AL-1) .....	8
§10. ALARM 2 (AL-2) .....	9
§11. LOCAL TIME (L-TM) .....	10
§12. LOCAL TIME ALARM (L-AL) .....	10
§13. SECONDS SETTING (0) .....	11
§14. SOUND MONITOR .....	12
§15. INITIAL MONITORING .....	12
§16. INITIAL SETTING .....	13
§17. MOVEMENT CHECK .....	14
§18. FITTING PROCEDURE OF HANDS .....	15
§19. REPLACING OF BATTERY .....	17
§20. PRECAUTIONS FOR DISASSEMBLING AND ASSEMBLING .....	17
§21. DISASSEMBLY AND ASSEMBLY OF MOVEMENT .....	19
§22. TROUBLESHOOTING AND ADJUSTMENT METHOD .....	23

## ESPAÑOL

## Índice

§1. CARACTERÍSTICAS .....	29
§2. ESPECIFICACIONES .....	29
§3. USANDO EL RELOJ .....	30
§4. FUNCIONES Y COMPONENTES PRINCIPALES .....	30
§5. AJUSTANDO LA HORA .....	32
§6. AJUSTANDO EL CALENDARIO .....	32
§7. CAMBIANDO LOS MODOS .....	34
§8. VISUALIZACIÓN NORMAL .....	34
§9. ALARMA 1 (AL-1) .....	36
§10. ALARMA 2 (AL-2) .....	37
§11. HORA LOCAL (L-TM) .....	38
§12. ALARMA DE HORA LOCAL (L-AL) .....	38
§13. AJUSTANDO LOS SEGUNDOS (0) .....	39
§14. MONITOR DE SONIDO .....	40
§15. MONITOREO INICIAL .....	40
§16. AJUSTE INICIAL .....	41
§17. COMPROBACIÓN DE MOVIMIENTO .....	42
§18. PROCEDIMIENTO DE FIJACIÓN DE LAS MANECILLAS .....	43
§19. REEMPLAZO DE LA PILA .....	45
§20. PRECAUCIONES PARA EL DESMONTAJE Y EL MONTAJE .....	46
§21. DESMONTAJE Y MONTAJE DEL MÓDULO .....	47
§22. LOCALIZACIÓN DE FALLAS Y AJUSTE .....	51

## §1. OUTLINE

This analog CITIZEN quartz watch is designed around the normal time, alarm, local time and calendar functions with a special audible repeater time feature.

- THE REPEATER function lets you determine the current time by simple use of the watch's buttons.
- THE CALENDAR adjustment is fully automatic calendar.

### ALARM FUNCTIONS

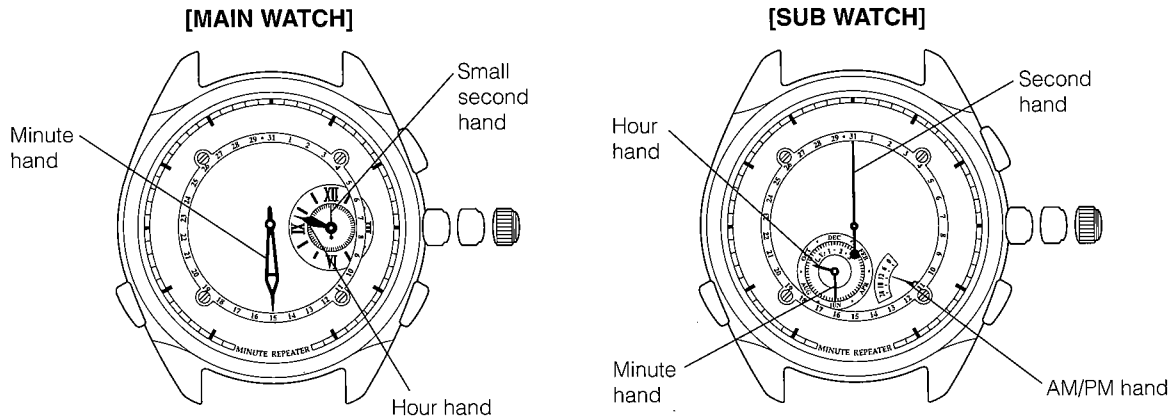
- ALARM 1 (AL-1) lets you set the desired alarm time quickly and easily. The alarm rings once at the set time and then automatically cancels the alarm setting.
- DAILY ALARM (AL-2) uses a different sound for morning, afternoon and night.
- LOCAL TIME ALARM (L-AL) rings every day at the set local time.
- THE LOCAL TIME (L-TM) settings can be made in 30-minute increments.

## §2. SPECIFICATIONS

Caliber No.	6765A / 6766A
Type	Multi-hand analog quartz watch
Movement size (mm)	32.5 <sup>∅</sup> x 4.85 <sup>t</sup>
Accuracy	±20 seconds per month at normal temperatures (+5°C to +35°C / 41°F to 95°F)
Integrated circuit	C/MOS-LSI (1 unit)
Effective temperature range	-10°C to +60°C / 14°F to 140°F
Quartz oscillation frequency	32,768 Hz
Additional functions	<ul style="list-style-type: none"> <li>• Hand display calendar Day, date (normal display), month, leap year (display dependent on push button switching), automatic adjustment of end-of-month and leap year</li> <li>• Alarm 1: Alarm rings once at set time (Setting is cancelled)</li> <li>• Alarm 2: Alarm rings every day at set time (Daily alarm)</li> <li>• Local time: Hour, minute, AM/PM indication, 30-minute increment settings</li> <li>• Local time alarm: Alarm rings every day at set (local) time. * Alarm 1 / 2 and Local time alarm can all be set in one-minute increments.</li> <li>• Time signal chime (Repeater): Two different sound chimes for hour, and minute signals are used to indicate the current time.</li> <li>• Sound monitor: Allows confirmation of all Alarm 1 / 2 and Local time alarm sound.</li> <li>• Others: Incomplete time settings warning indication Incomplete initial settings warning indication</li> </ul>
Battery	1 silver oxide
Battery No. / Code	280-44 (SR927W)
Battery life	About 2 years (in using condition mentioned below) Alarm 1: once for 10 seconds/week Alarm 2: once for 16 seconds/day Local time alarm: once for 15 seconds/week Time signal chime: once for 17 seconds/day * The life of the battery is dependent on the using condition of alarms

\* Specifications are subject to change without notice.

### §3. USING THE WATCH



Set the Main watch and Sub watch to the current time simultaneously. (See "§5. SETTING THE TIME")

Time signal chime (Repeater) is activated based on the Sub watch. This feature will not function properly if the Sub watch is not set.

If there is a one minute time difference (plus or minus) between the time signal chime and the main watch time setting, reset the Sub watch to the same time as the Main watch.

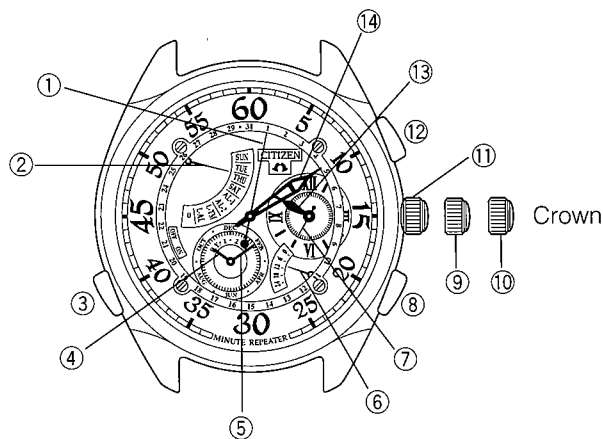
**Example:** If the time signal chime is one minute slow, set the Sub watch forward one minute.

#### Wearing the watchband

If the watch is worn too tightly, it may be difficult to clearly hear the time signal chime and alarm sound.

Allow a space of one finger between the watch band and your wrist for best results.

### §4. MAIN COMPONENTS AND FUNCTIONS



#### NOTE:

- This watch displays number of years from the leap year.  
The AM/PM hand should only be used to distinguish morning / evening.
- It should not be used as a 24 hour time display.
- \* The design may differ according to the model.

①	Sub watch second hand • Date hand • Alarm ON/OFF hand
②	• Day hand • Mode hand
③	Button C • Mode switch • Day set
④	Sub watch hour hand • Local time hour hand • Alarm hour hand • Year hand
⑤	Sub watch minute hand • Local time minute hand • Alarm minute hand • Month hand
⑥	AM/PM hand
⑦	Main watch small second hand
⑧	Button B • Year/Month Set • Year/Month display mode
⑨	1st step position • Calendar adjust
⑩	2nd step position • Time adjust
⑪	Normal position
⑫	Button A • Time signal chime (Repeater) • Date set • Alarm ON/OFF
⑬	Main watch hour hand
⑭	Main watch minute hand

## Button Functions

Crown	Mode	Button (A)	Button (B)	Button (C)	Crown rotation
<b>Normal Position</b>	Normal display	*Time signal chime (Repeater)	*Calendar display	Mode Switch *Watch hand initial position monitor	_____
	Calendar display	To normal display	To normal display	To normal display	_____
	Alarm 1 setting	*Sound monitor (OFF) Cancelling the alarm (ON)	Alarm Setting	Mode Switch *Watch hand initial position monitor	_____
	Alarm 2 setting	ON/OFF Switch *Sound monitor	Alarm Setting	Mode Switch *Watch hand initial position monitor	_____
	Local time setting	_____	Local time setting	Mode Switch *Watch hand initial position monitor	_____
	Local time alarm setting	ON/OFF Switch *Sound monitor	Local time alarm setting	Mode Switch *Watch hand initial position monitor	_____
	Seconds setting	Seconds setting	_____	Mode Switch *Watch hand initial position monitor	_____
<b>1st step position</b>	(Calendar setting)	Date setting	Leap year, month setting	Day setting	_____
<b>2nd step position</b>	(Time setting)	Sub watch seconds setting	Sub watch hour, minutes setting	_____	Main watch hour, minute setting

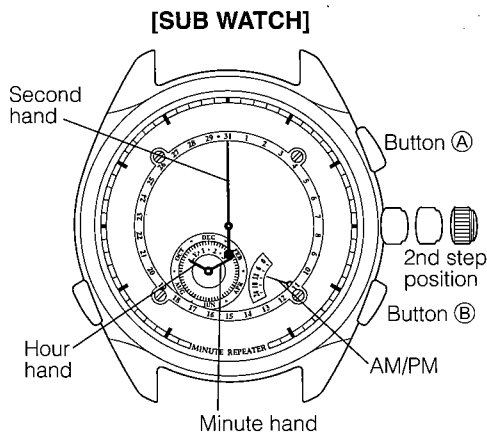
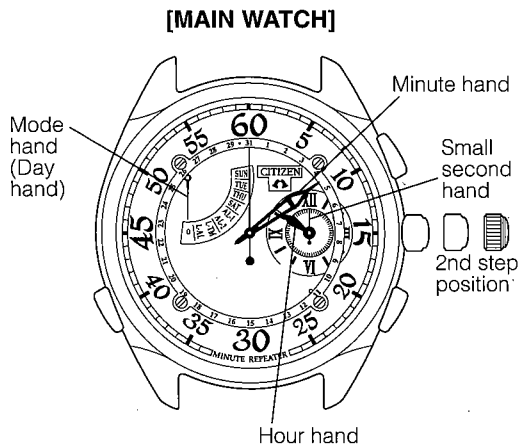
\*: Press and hold down (for 1 sec or for 2 - 3 sec)

## Hand Function

Crown	Mode	Main watch hour, minute second	Sub watch hour, minute	AM/PM hand	Date hand	Mode hand
<b>Normal Position</b>	Normal display	Main watch hour, minute, second	Local time hour, minute	Local AM/PM	(Main watch) Date	(Main watch) Day
	Calendar display	Main watch hour, minute, second	(Main watch) leap year, month	_____	(Main watch) Date	(Main watch) Day
	Alarm 1 setting	Main watch hour, minute, second	Alarm hour, minute	Alarm AM/PM	ON	AL-1
		Main watch hour, minute, second	(Main watch) hour, minute	(Main watch) AM/PM	OFF	AL-1
	Alarm 2 setting	Main watch hour, minute, second	Alarm hour, minute	Alarm AM/PM	ON/OFF	AL-2
	Local time setting	Main watch hour, minute, second	Local time hour, minute	Local time AM/PM	(at 12 o'clock)	L-TM
	Local Time Alarm setting	Main watch hour, minute, second	Local time alarm hour, minute	Alarm AM/PM	ON/OFF	L-AL
Second setting	Main watch hour, minute, second	(Main watch) hour, minute	(Main watch) AM/PM	(Main watch) second	0	
<b>1st step position</b>	Calendar setting	Main watch hour, minute, second	Leap year, month	_____	(Main watch) Date	(Main watch) Day
<b>2nd step position</b>	Time setting	Main watch hour, minute, second	Hour, minute	(Sub watch) AM/PM	(Main watch) second	0

## §5. SETTING THE TIME

When setting the current time, it is necessary to set both the Main watch and Sub watch to the same time. If the Sub watch is not matched to the Main watch, the Repeater and alarm will not sound properly.



- (1) Pull the crown out to the 2nd step position when the small second hand is at 0 position (12 o'clock) and stops.

\* When the crown is pulled out the 2nd step, the mode hand points to "0" to indicate that time can be set. At the same time, the date hand changes to the Sub watch second hand and moves to the 0 (12 o'clock) position and stops.

- (2) Turn the crown in either direction to set the Main watch to the current time.
  - (3) Press the (B) button to set the Sub watch to the current time.
- \* The time setting advances one minute each time the (B) button is pressed. Press and hold down the (B) button to quick-advance the hour, minute hand.

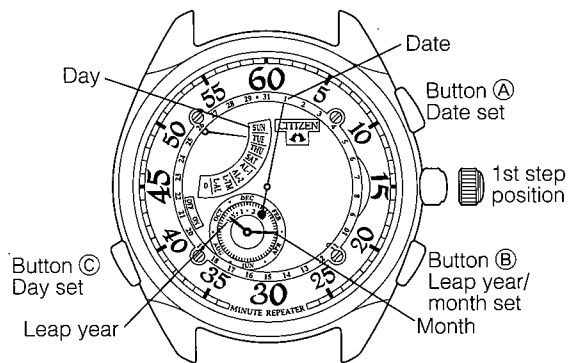
### Note:

The Sub watch hour, minute hands are synchronized with the AM/PM hand. Watch the AM/PM hand when adjusting the Sub watch time setting to ensure the proper setting is made.

- (4) When the Sub watch second hand is not aligned with the "0 sec" position, press (A) button to set it to this position. Press the (A) button to advance the second hand in 1-second increments. Press and hold down the (A) button to quick-advance the second hand.

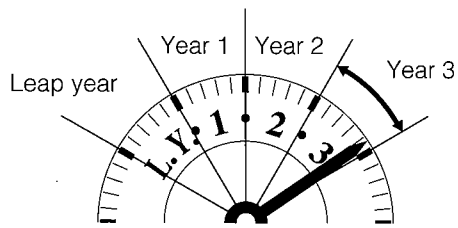
- (5) Push the crown into the normal position at the desired time to start the watch running at the current time. At this time, the mode hand switches to indicate the day normally.

## §6. SETTING THE CALENDAR



- (1) Pull the crown out to the 1st step position. At this time, the local time hour, minute hands switch to the leap year and month hands.
  - \* The calendar hands advance one increment each time the (A) or (B) button is pressed. Press and hold down the (A) or (B) button to quick-advance the calendar hands.
- (2) <Date set>  
Press the (A) button to set the date.
- (3) <Leap year/month set>
  - Check the number of years following the leap year for the current year. (see the table on the next page)
  - Press the (B) button to set the leap year and month. The year hand is synchronized with the month hand.

## ☆Reading the leap year display



The leap year and years following the leap year are displayed as shown in the diagram. When the year hand is in the position  $\bullet \rightarrow 3 \leftarrow \bullet$ , the reading is "the third year following the leap year."

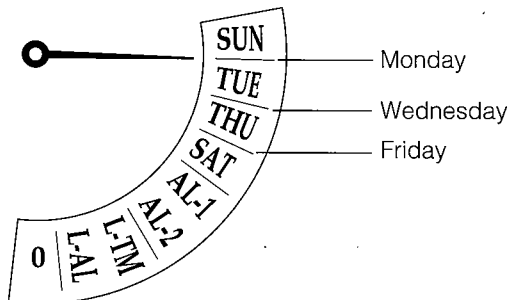
## ☆Leap year display

2004	Leap year	2008	Leap year	2012	Leap year
05	Year 1	09	Year 1	13	Year 1
06	Year 2	10	Year 2	14	Year 2
07	Year 3	11	Year 3	15	Year 3

### (4) <Day set>

- Press the  $\odot$  button to set the day.
  - Pressing the  $\odot$  button advances the hand one day at a time.
- Quick-advance is not a feature of this function.

## ☆Reading the day display



The line between "SUN" and "TUE" represents "Monday", etc.

- (5) Push the crown all the way into the normal position when adjustments are complete.  
 \* The calendar will not function properly when the crown is left in the 1st step position.

## Adjustment-free calendar

This feature lets you use your watch without need to make end-of-month or leap year adjustments.

### Example:

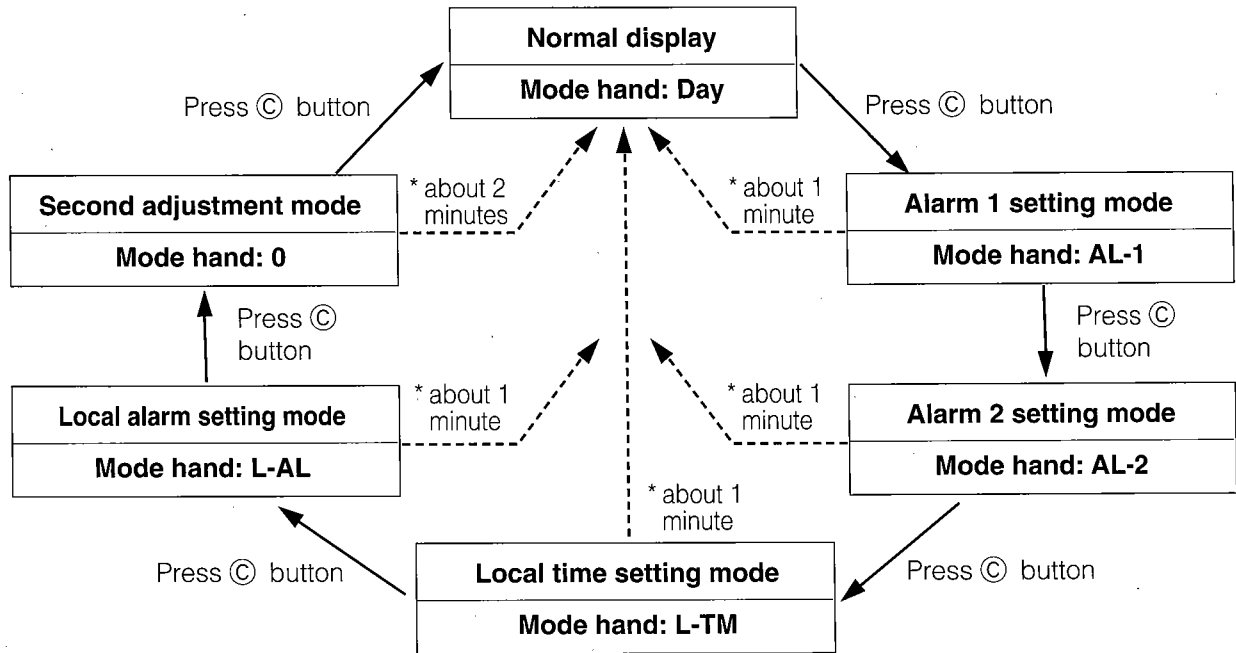
End-of-month: 11/30  $\rightarrow$  12/1 Automatic adjustment  
 Leap year: 2/29 (Leap year)  $\rightarrow$  3/1 Automatic adjustment  
 2/28 (Ordinary year)  $\rightarrow$  3/1 Automatic adjustment

- Even if the calendar is set to a non-existing date, it is automatically set to the 1st of the next month when the crown is pushed back to the normal position.

Example 11/31  $\rightarrow$  12/1

- \* The day does not change automatically under this feature.

## §7. SWITCHING MODES

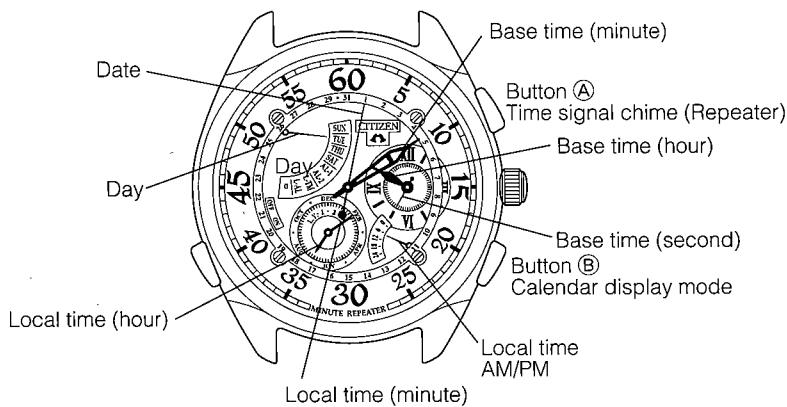


\*: If there is no input, the watch automatically returns to the normal display.

## §8. NORMAL DISPLAY

The normal time display appears as follows.

**Example** : Base time 10:09:35/1/TUE  
 : Local time AM 7:09



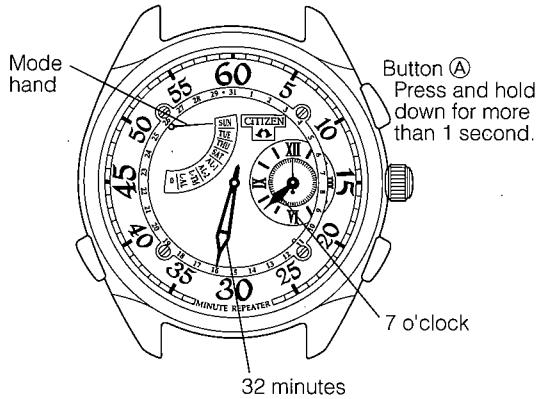
Press the **A** button to sound the time signal chime (see "1. Time signal chime (Repeater)").

Press the **B** button to display the calendar (see "2. Calendar display").



## 1. Time signal chime (Repeater)

The feature allows you to tell the current time by the watch's chime sound.



### [Crown in the normal position]

\* This feature will not work unless the mode hand is set to day (normal) display.

- (1) Press and hold down the **A** button for more than 1 second to activate the chime sound. Time signal chime (Repeater) operates under the 12-hour system.

**Example: You want to make the watch chime sound at 7:32.**

- 1) Hour sound: One high-pitched chime sounds 7 times at intervals of 1 second (7 times= 7 o'clock).
- 2) Quarter sound: One high and one low-pitched chime sounds 2 times at intervals of 1 second (1/4HR x 2= 30 minutes).
- 3) Minute sound: One low-pitched chime sounds 2 times at intervals of 1 second (2 times = 2 minutes).

By playing the above sound, you know the time is now 7:32.

\* Press the any button while the chime is playing to stop the sound.

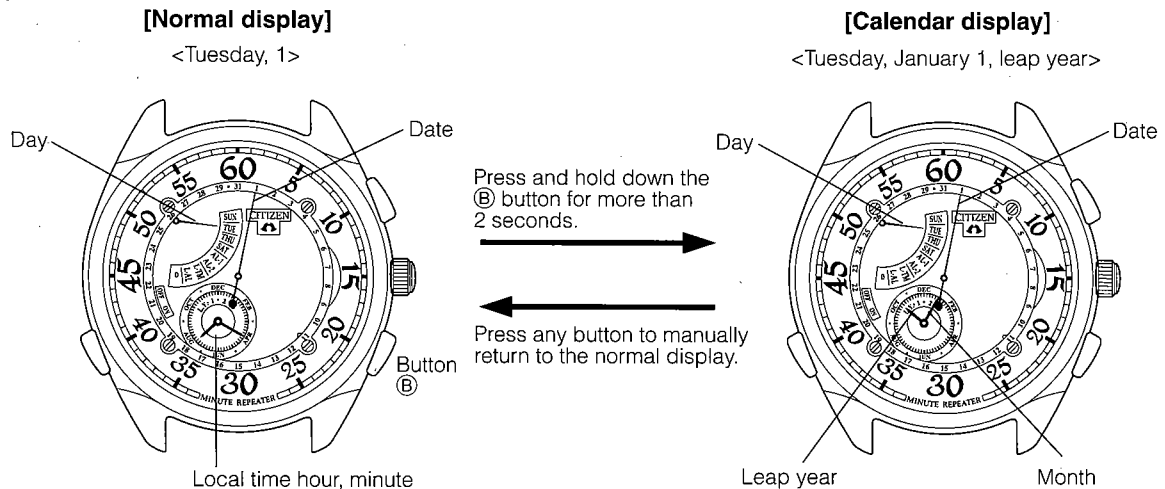
### Notes:

- The chime sound cannot be activated while the calendar is displayed.
- The time is not set properly if the time display and chime sound are not synchronized. See "§5. SETTING THE TIME".

## 2. Calendar display

The calendar feature displays the date and day of the week normally.

It is also possible to display the month and leap year calendar indications by using the watch's **B** button.



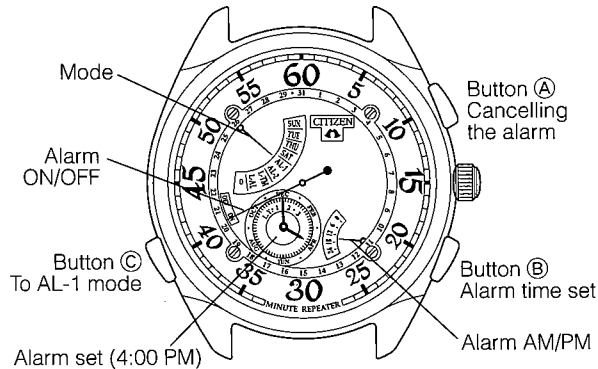
- Crown in the normal position
- Press and hold down the **B** button for more than 2 seconds to switch the Local time hour and minute hands to the Leap year and month hands.

## §9. ALARM 1 (AL-1)

**(Alarm 1) ...** You can set the desired alarm time quickly and easily. The alarm sounds once at the set time and then cancels the alarm setting.

### Setting Alarm 1

- The alarm can be set in one-minute increments.
- AM/PM can be determined with the AM/PM hand.
- Alarm hour, minute hands and AM/PM hand are synchronized.
- Press the **(B)** button once to advance the alarm hands one minute at a time.  
Press and hold down the **(B)** button to use the quick-advance feature.



### [Crown in the normal position]

#### Example:

You want to make the alarm sound at 4:00PM.

- (1) Press the **(C)** button to move the mode hand to the AL-1 position.  
At this time, the alarm hands and alarm AM/PM hand move to current time.

- (2) Press the **(B)** button and set the alarm to 4:00 PM. Always confirm the AM/PM hand to ensure the proper setting is made.

\* When pressed the **(B)** button, the alarm ON/OFF hand indicates the ON state.

#### Notes:

- When the alarm is set between 12:00-12:30 AM, the alarm hand sweeps forward and back in a 30 minute arc and stops at the set time.
- This is normal and does not indicate faulty movement.

- (3) Press the **(C)** button 5 times when the setting is completed. The mode hand returns to the day display.

### [About the alarm 1]

Alarm 1 rings for 10 seconds upon reaching the alarm set time. Press any button to stop the alarm sounds.

### ☆Cancelling the alarm setting

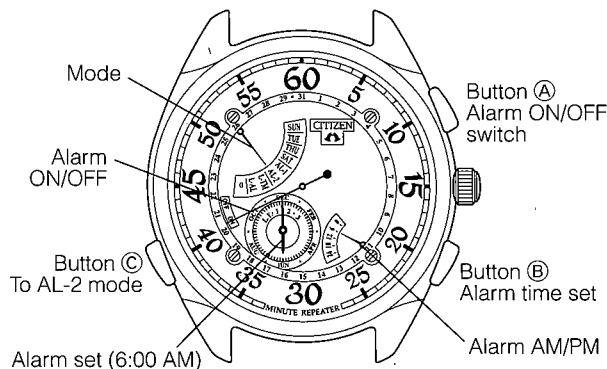
- Press the **(A)** button to switch the alarm OFF.  
\* At this time, the alarm set time returns to the current time display.
- \* If there is no input for about 1 minute, the watch automatically returns from alarm 1 (AL-1) mode to the normal display.

## §10. ALARM 2 (AL-2)

(Alarm 2 [Daily alarm]) ... This feature allows the alarm to sound every day at the set time.

### Setting the Alarm 2 (Daily alarm)

- The alarm can be set in one-minute increments.
- AM/PM can be determined with the AM/PM hand.
- Alarm hour, minute hands and AM/PM hand are synchronized.
- Press the (B) button once to advance the hands one minute at a time. Press and hold down the (B) button to use the quick-advance feature.



### [Crown in the normal position]

#### Example:

You want to set the alarm for 6:00 AM every day

- (1) Press the (C) button to move the mode hand to the AL-2 position. At this time, the Local time hands switch to the alarm hour, minute set hands and the date hand switches to the Alarm ON/OFF function.

- (2) Press the (B) button and set the alarm to 6:00 AM. Always confirm the AM/PM hand to ensure the proper setting is made.

\* Pressing the (B) button automatically moves the alarm ON/OFF hand to the ON position.

#### Note:

- When the alarm is set between 12:00-12:30 AM, the alarm hands sweeps forward and back in a 30 minute arc and stops at the set time. This is normal and does not indicate faulty movement.

- (3) Press the (C) button when the setting is complete to move the mode hand back to the normal time display.

### [About the Daily alarm (Alarm 2)]

Depending on the time of day for which the alarm is set, the watch will sound 3 different alarms.

- Morning : From 4:00 AM to 11:59 AM (for 14-seconds)
- Afternoon : From 12:00 Noon to 5:59 PM (for 15-seconds)
- Night : From 6:00 PM to 3:59 AM (for 16-seconds)

Press any button to stop the alarm.

### ☆Cancelling the alarm setting

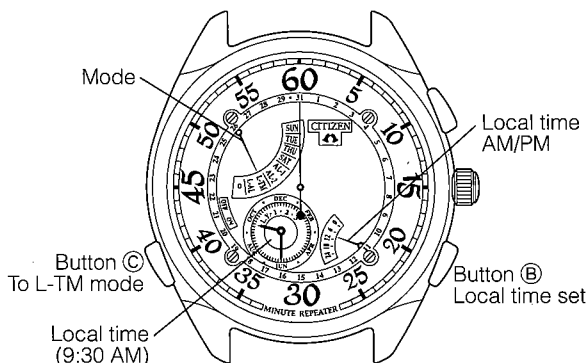
- Press the (A) button in the AL-2 mode to switch the alarm OFF.

\* If there is no input for about 1 minute, the watch automatically returns to the normal display.

## §11. LOCAL TIME (L-TM)

### Setting Local Time

- Settings can be made in 30-minute increments.
- Local time hour, minute hands and AM/PM hand are synchronized.
- Press the (B) button once to advance in 30-minute increments. Press and hold down the (B) button to use quick-advance feature.



### [Crown in the normal position]

#### Example:

You want to synchronize the current time in Tokyo (5:30 PM) with the local (current) time in Paris (9:30 AM).

- (1) Press the (C) button to move the mode hand to the L-TM position. At the same time, the date hand moves to the 31st (12:00) position.

- (2) Press the (B) button to set the local time to 9:30 AM. Always confirm the AM/PM hand to ensure the proper setting is made.

#### Note:

- When the local time is set between 12:00-12:30 AM the local time hands sweep forward and back in a 30 minute arc and stop at the set time. This is normal and does not indicate faulty movement.

- (3) Press the (C) button 3 times when the setting is complete to move the mode hand back to the normal mode position.

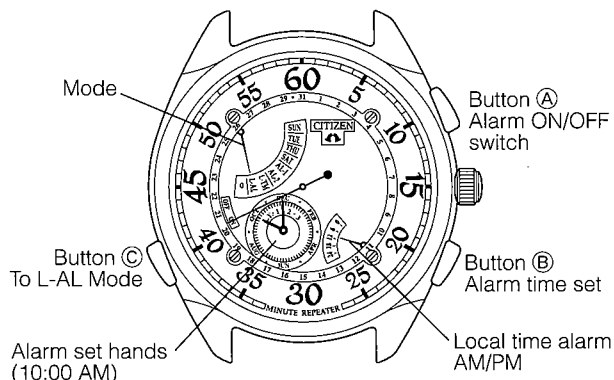
\* If there is no input for about 1 minute, the watch automatically returns to the normal display.

## §12. LOCAL TIME ALARM (L-AL)

**(Local time alarm [L-AL]) ...** This feature allows the alarm to sounds every day at the set local time.

### Setting the Local time alarm

- The alarm can be set in one-minute increments.
- AM/PM can be determined with the AM/PM hand.
- Alarm hour, minute hands and AM/PM hand are synchronized.
- Press the (B) button once to advance the hands in one-minute increments. Press and hold down the (B) button to use the quick-advance feature.



### [Crown in the normal position]

#### Example:

You want to set the alarm to sound at 10:00 AM Paris time.

- (1) Press the (C) button to move the mode hand to the L-AL position. At the same time, the Local time hands switch to the alarm hour, minute set hands and the date hand switches to the Alarm ON/OFF hand.

- (2) Press the (B) button to set the alarm to 10:00 AM. Always confirm the AM/PM hand to ensure the proper setting is made.  
 \* Pressing the (B) button automatically moves the ON/OFF hand to the ON position.

**Note:**

- When the alarm is set between 12:00-12:30 AM, the alarm hands sweep forward and back in a 30 minute arc and stop at the set time. This is normal and does not indicate faulty movement.

- (3) Press the (C) button when the setting is complete to move the mode hand back to the normal mode position.

**[About the Local time alarm]**

The local time alarm will sound at the set time for 16 seconds.  
 Press any button to stop the alarm.

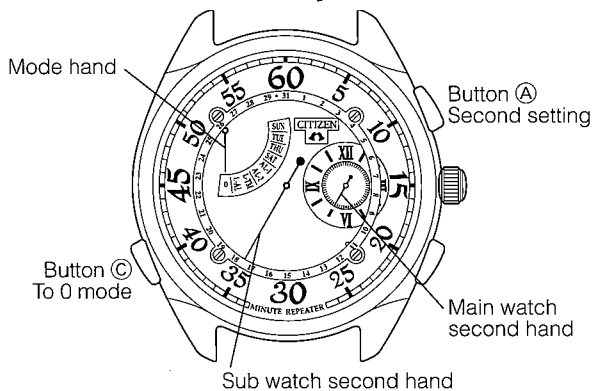
☆ **Cancelling the alarm setting**

- Press the (A) button in the L-AL mode to switch the alarm OFF.
- \* If there is no input for about 1 minute, the watch automatically returns to the normal display.

**§13. SECONDS SETTING (0)**

Refer to "Seconds adjustment" below for instructions on adjusting the second hands.

**Seconds adjustment**



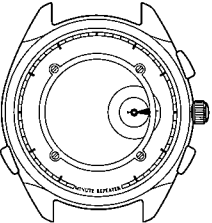
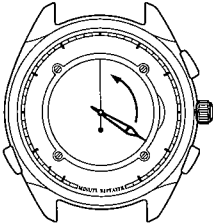
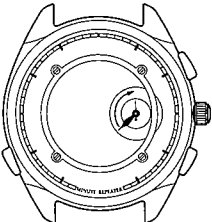

**[Crown in the normal position]**

Set the Main and Sub watch second hands to the current time.

- (1) Press the (C) button several times to move to the "0" mode. The date hand switches to the Sub watch second hand function and moves at intervals of 1 second.
- (2) Press the (A) button once at the sound of a time signal to synchronize both second hands as shown in the diagram below.

- (3) Press the (C) button when the setting is complete to move to the normal display. (The mode hand displays the day mode.)

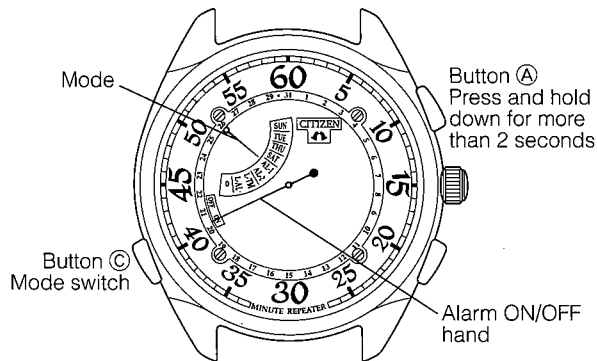
\* If there is no input for about 2 minutes, the watch automatically returns to the normal display.

	Second hand position	
	Second hand (Main Watch)	Second hand (Sub Watch)
<b>0-29 SEC</b>	 <ul style="list-style-type: none"> <li>• Second hand stops. Movement begins when Sub watch second hand reaches same position.</li> </ul>	 <ul style="list-style-type: none"> <li>• Second hand returns to the 0 position and begins movement.</li> </ul>
<b>30-59 SEC</b>	 <ul style="list-style-type: none"> <li>• Second hand returns to the 0 position and begins movement. Main watch minute hand advances by 1 minutes.</li> </ul>	 <ul style="list-style-type: none"> <li>• Second hand advances to the 0 position and begins movement. Sub watch minute hand advances by one minute.</li> </ul>

## §14. SOUND MONITOR

The sound monitor feature is used to confirm the alarm sounds in the Alarm 1, Alarm 2 and Local time alarm modes.

### Sound monitor



#### [Crown in the normal position]

- (1) Press the (C) button to move the mode hand to the alarm mode you want to monitor (Alarm 1, Alarm 2, Local time alarm).
- (2) Press the (A) button for more than 2 seconds to activate the sound monitor.

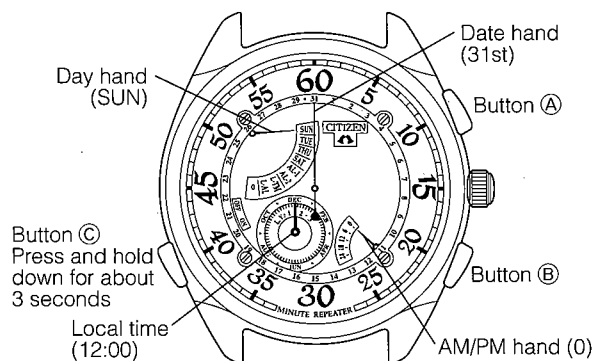
#### Notes:

- Alarm 1 will only sound when the ON/OFF hand (date hand) is in the OFF position.
- When Alarm 2 and the Local Time Alarm are set to ON or OFF, pressing button (A) for more than 2 seconds will activate the sound monitor. Caution should be exercised at this time because the Local Time Alarm switch setting will also be changes.

## §15. INITIAL MONITORING

**Positioning of the watch's hands ...** This feature allows you to check and confirm the proper position for each of the watch's hands.

### Checking the position of the watch's hands



#### [Crown in the normal position]

- \* This feature can be used with the mode hand in any position.
- (1) Press and hold down the (C) button for more than 3 seconds to move the hands to the following initial positions.

Date hand: 31  
 Day hand: SUN  
 Local time: 12:00  
 AM/PM hand: 0

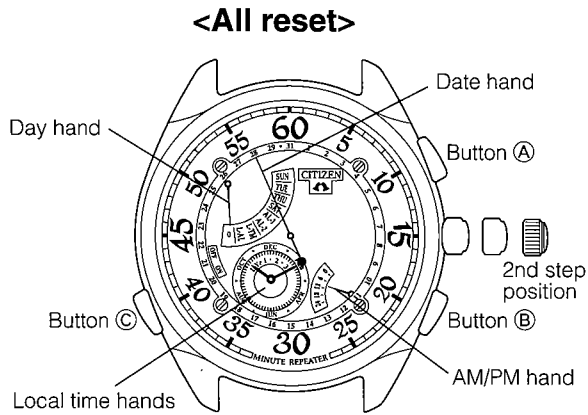
If the hands do not move to the above positions, see "§16. INITIAL SETTING".

If there is no input for about 20 seconds, the watch will automatically return to the normal display. Press any button to manually return to the normal display.

## §16. INITIAL SETTING

If the initial setting has not done completely, any functions of this watch does not operate correctly. In this case, all reset and initial setting should be done according to following procedures.

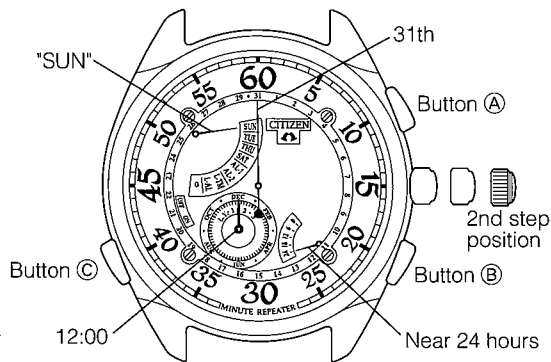
\* These instructions should always be completed when new batteries are installed.



- (1) Pull the crown out to the 2nd step position (mode hand display: 0).
- (2) Press and hold down the all buttons simultaneously for more than 2 seconds.
- (3) Release all buttons and the date, day, local time, and AM/PM hands start in order to reset the watch's hands.

A confirmation beep will sound with the completion of this operation.

### <Initial setting operations>



#### [Crown is in the 2nd step position]

- (1) Press the (A) button to set the date hand to the "31" position (12 o'clock).
- (2) Press the (B) button to set the Local time hand to the 12 o'clock position and AM/PM hand to near the "24 hours" position.
- (3) Press the (C) button to set the day hand to "SUN".

The day hand may not align precisely with the SUN mark but this does not occur during normal watch operations.

Set the day hand to "SUN" even if the hand positioned at "SUN" from first.

- (4) Push the crown in to the normal position to complete setting procedures.

The AM/PM hand will automatically move to the "0 hours" position.

\* After setting the hands to the initial position, first refer to "§5 SETTING THE TIME", to set the watch hands to the correct time.

Then, refer to "§6. SETTING THE CALENDAR", and set the calendar to the correct date.

## §17. MOVEMENT CHECK

### 1. Date hand quick-advances clockwise



- When the date hand quick-advances in a clockwise direction, this indicates that the "time setting" between the Main watch and Sub watch was not successfully completed. See "§5. SETTING THE TIME" for further instruction.  
(Time setting incomplete warning indication)

### 2. Date hand quick-advances counterclockwise



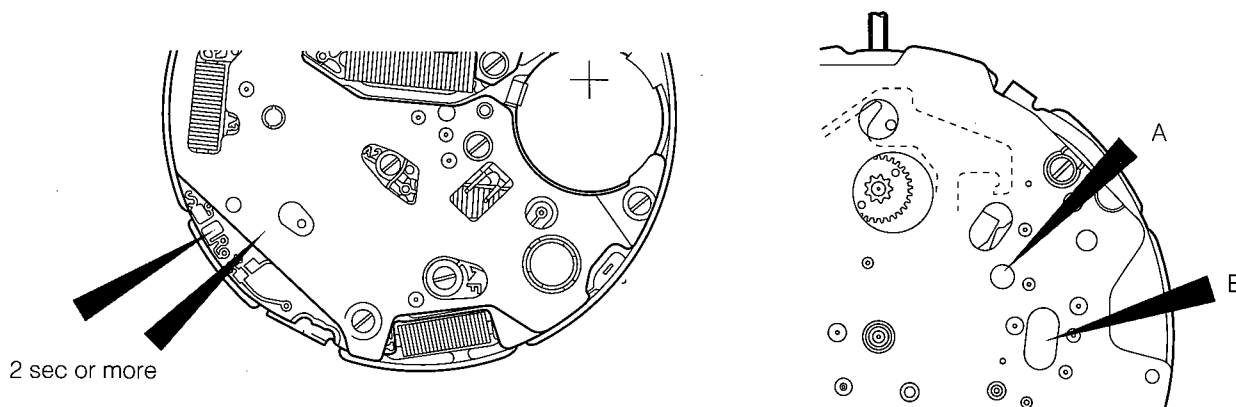
- When the date hand quick-advances in a counterclockwise direction, this indicates that the initial setting was not successfully completed. See "§16. INITIAL SETTING" for further instruction.  
(Initial setting incomplete warning indication)



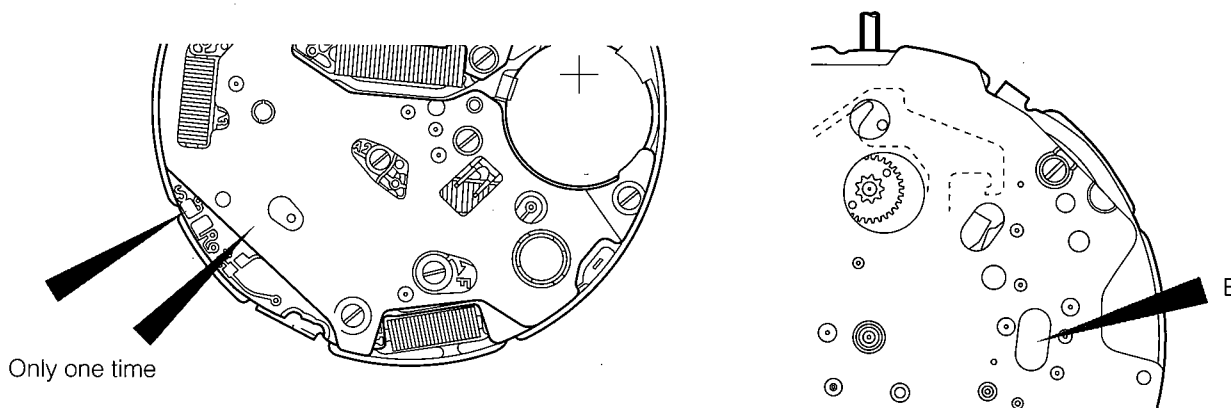
## §18. FITTING PROCEDURE OF HANDS

### 1. Preparation for Fitting the Hands

- (1) Confirm the crown is pulled out to the second click.
  - Keep the crown at the second click until the day hand, L/T hand, minute hand, and AM/PM hand have been fitted.
- (2) Perform the all reset operation (AR).
  - Short the R pattern of the composite electronic circuit to the train wheel bridge (or anti-magnetic plate) with tweezers for at least 2 seconds or more.
  - The AR operation is completed in 10 seconds after the tweezers are removed (Leave for at least 10 seconds).
  - Confirm that the AR operation has started by observing the movement of the wheels (dial side) through the check hole (Part A or B).



- (3) Confirm the operation of the fitted hands (S-terminal input).
  - Short the S pattern of the composite electronic circuit to the wheel train bridge (anti-magnetic plate) with tweezers.
  - Be sure to short only one time. If you shorted two times by mistake, repeat the procedure from work step 2 (All reset).
  - This operation is completed in about 1 minute. (Leave for at least 1 minute).
  - Conform this operation by observing the movement of the wheel train through the check hole (Part B).

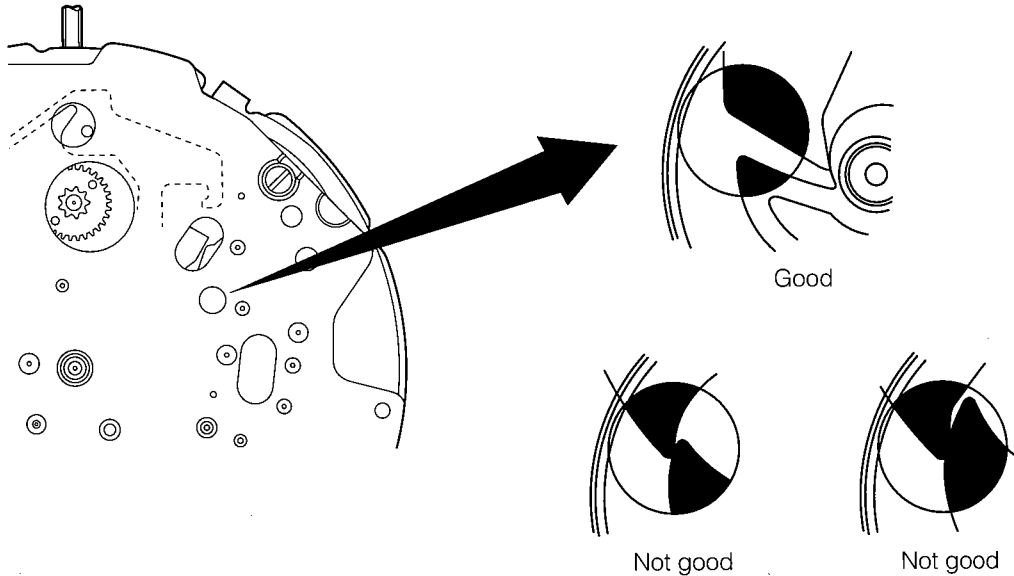


(4) Repeat steps (2) and (3)

- Purpose: To heighten the accuracy of the initial positioning of L/T hour and minute hands.

(5) Confirm the fitting positions of the hands.

- Confirm that steps 1 - 4 have been performed securely.
- Confirm that the intermediate Local time wheel I and II are positioned as shown bellow through the check hole.



## 2. Fitting of Dial

(1) Set the dial to the module.

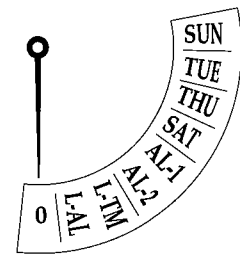
## 3. Fitting of Hands

(1) Fit the day hand.

- Fit the day hand to the center of [0] in the second correction mode.
- Check the fitting position of the day hand.

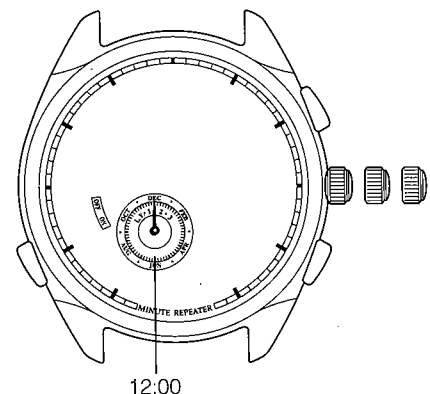
In any case, if the day hand can be set to SUN by pressing the © button four time maximum, it is fitted correctly.

**Note:** If the fitting position of the day hand is not positioned correctly or it cannot be set to its initial position (SUN), re-install it. In this case, perform work steps 1 - 3 of "1. Preparation for fitting the hands" without fail.



(2) Fitting of L/T (Local Time) hour and minute hands.

- Fit the L/T hour hand 12 hour position
- Fit the L/T minute hand 12 hour position



(3) Fit the AM/PM hand.

- Confirm the positions of the L/T hour and minute hands at 24:00.
  - a. Push the (B) button to turn the L/T hands to the position of 12:00.
  - b. Fit the AM/PM hand to the 12-hour position.

(4) Fitting of second hand

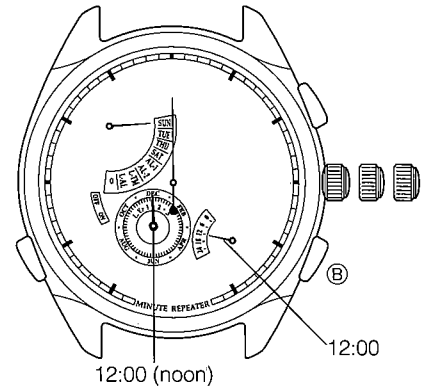
- Fit the second hand to the position of 0 second.

(5) Fitting of hour and minute hands

- Fit the hour and minute hands as usual.

(6) Fitting of date hand

- Fit the date hand to 31th (12-hour) position.



#### 4. Mounting of Module in Case

### §19. REPLACING OF BATTERY

\* When replacing the battery, remove two screw and shield plate.

When replacing the battery, be sure to measure the current consumption with the module in the case.

\* After replacing the battery, be sure to set the watch by performing the operations of all reset, initial setting, setting of time, and setting of calendar in order.

**Note:** If the day hand cannot be set to "SUN" for the initial setting, perform the all reset operation again and push the (C) button twice. Then, perform the operations of all reset, initial setting, setting of time, and setting of calendar again in order.

### §20. PRECAUTIONS FOR DISASSEMBLING AND ASSEMBLING

#### <Disassembling>

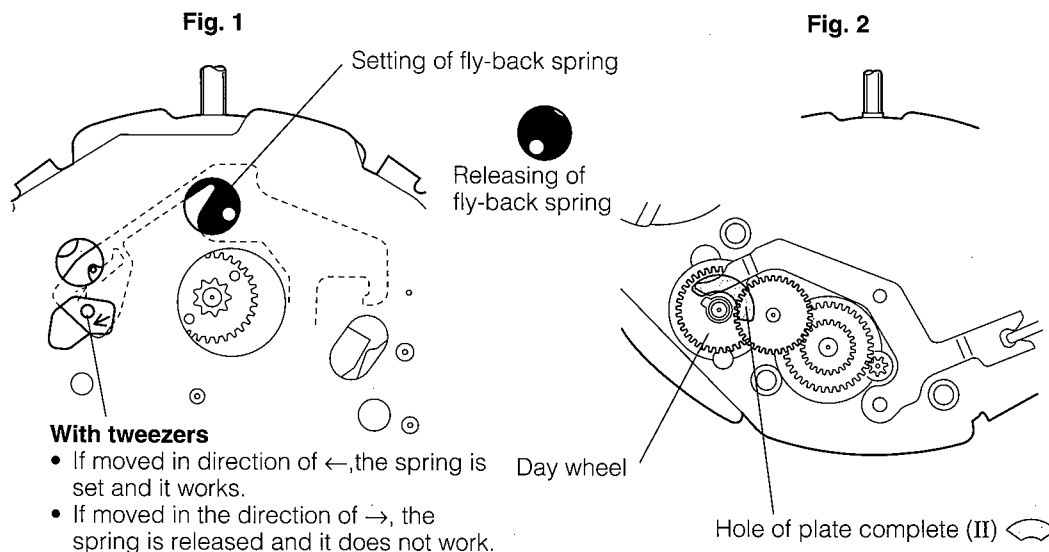
\* Before removing the lower plate, release the fly-back spring in Fig. 1).

\* Pry up the intermediate center wheel and pinion [II] with a screwdriver.

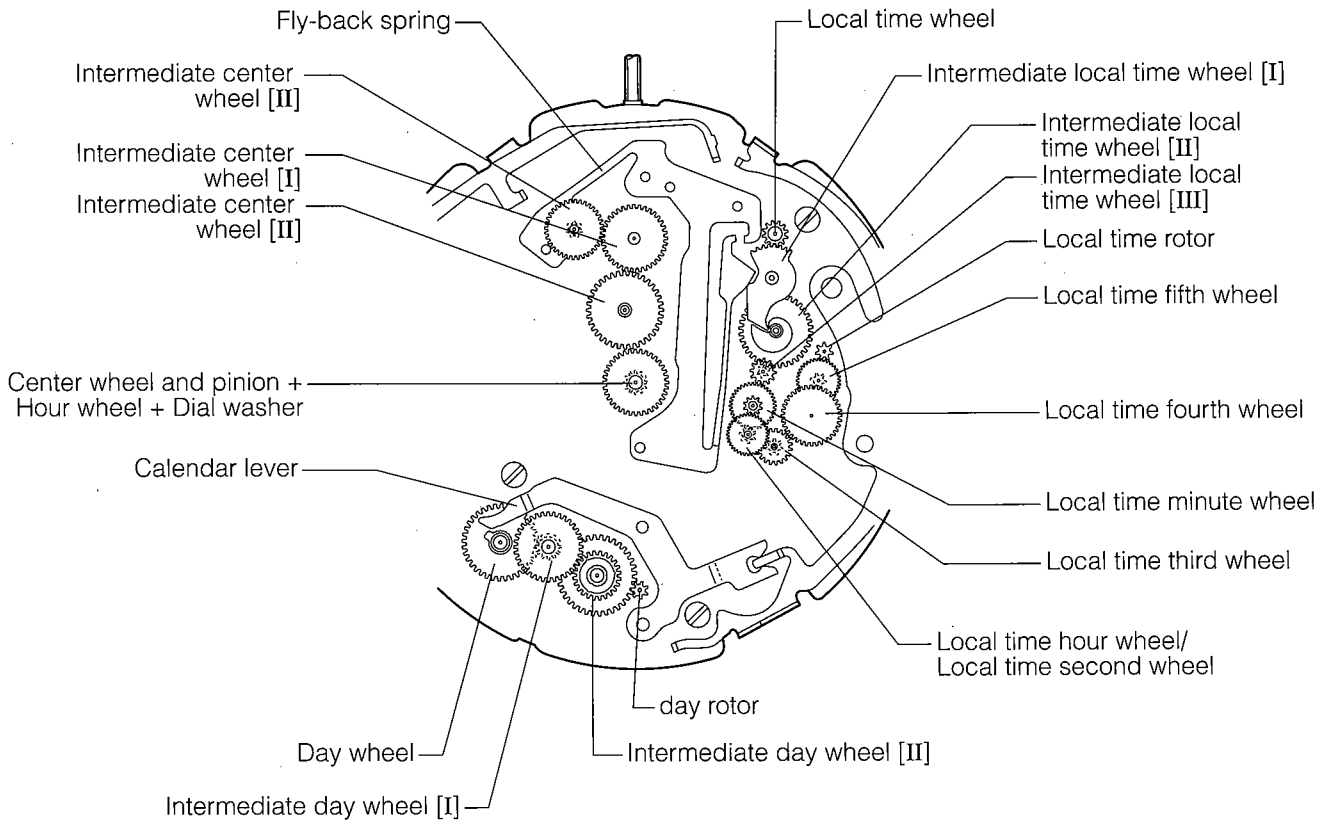
#### <Assembling>

\* Set the projection under the day wheel into the hole of the plate [II] (See Fig. 2).

\* After the lower plate is installed, hitch the fly-back spring so that it will work (see setting of fly-back spring in Fig. 1).



**<Arrangement of Wheels on Dial Side>**



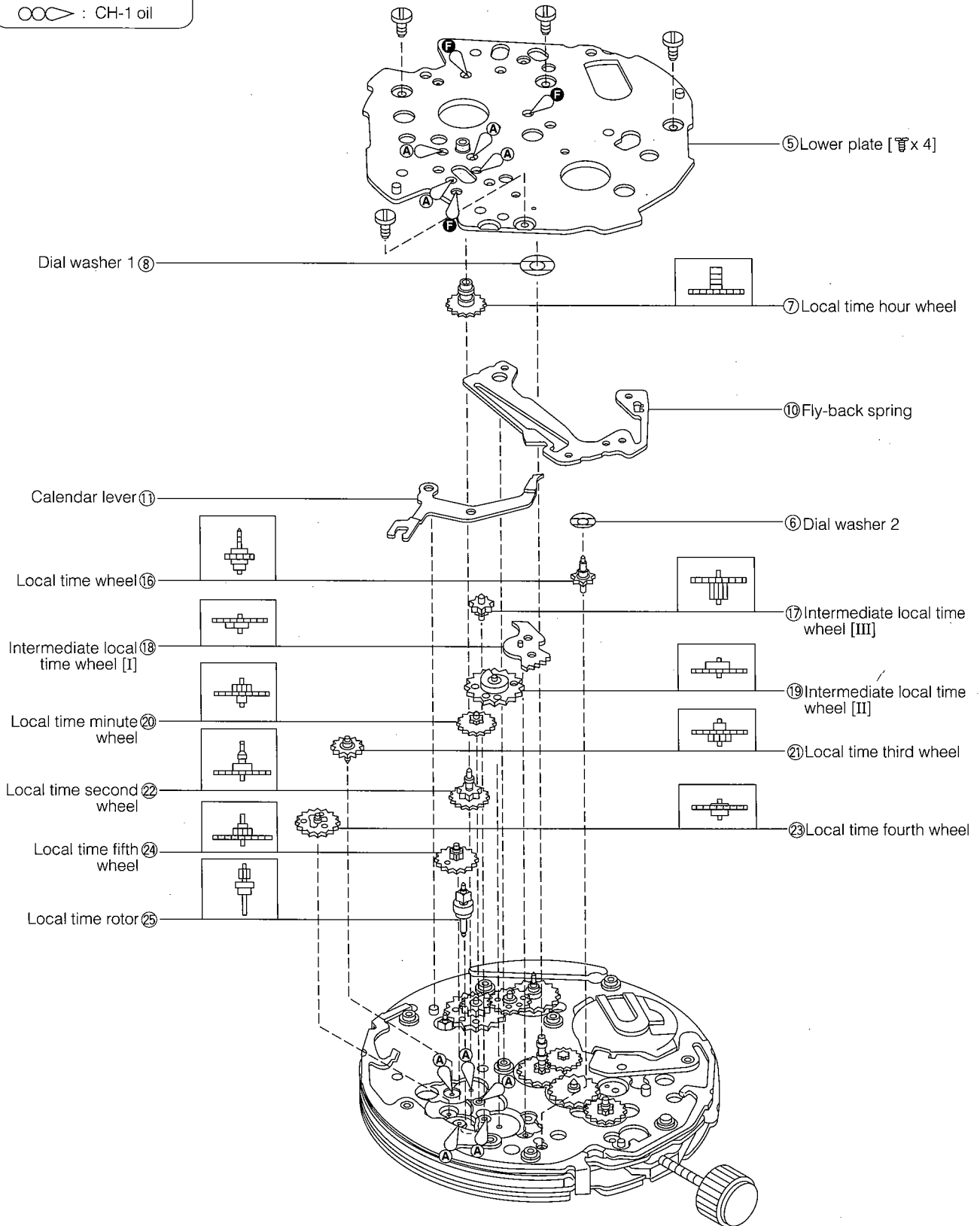
# §21. DISASSEMBLY AND ASSEMBLY OF THE MODULE

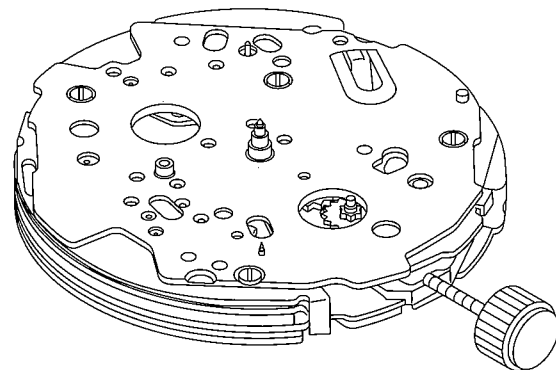
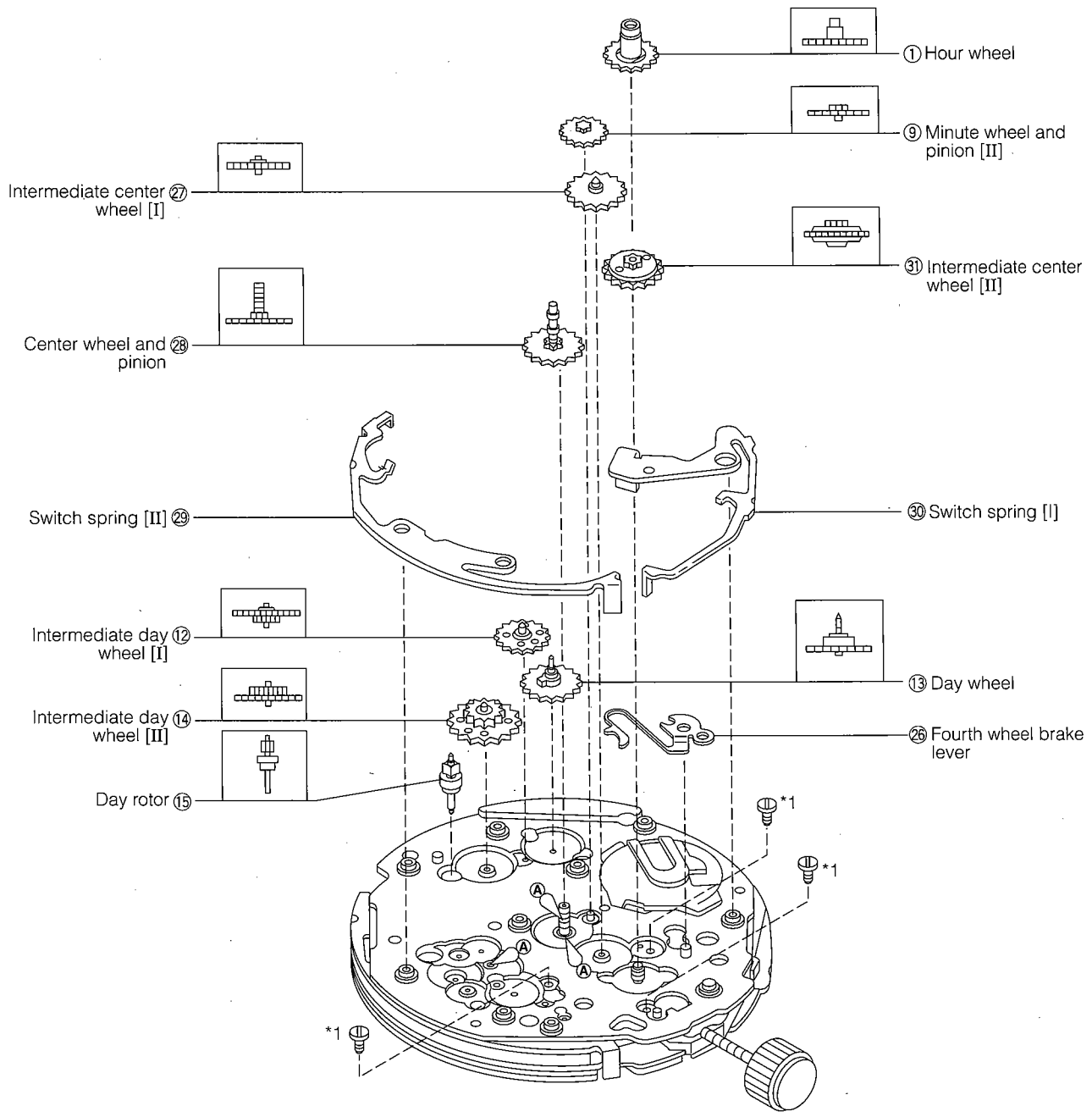
Disassembly procedure: ① → ④⑧

Assembly procedure: ④⑧ → ①

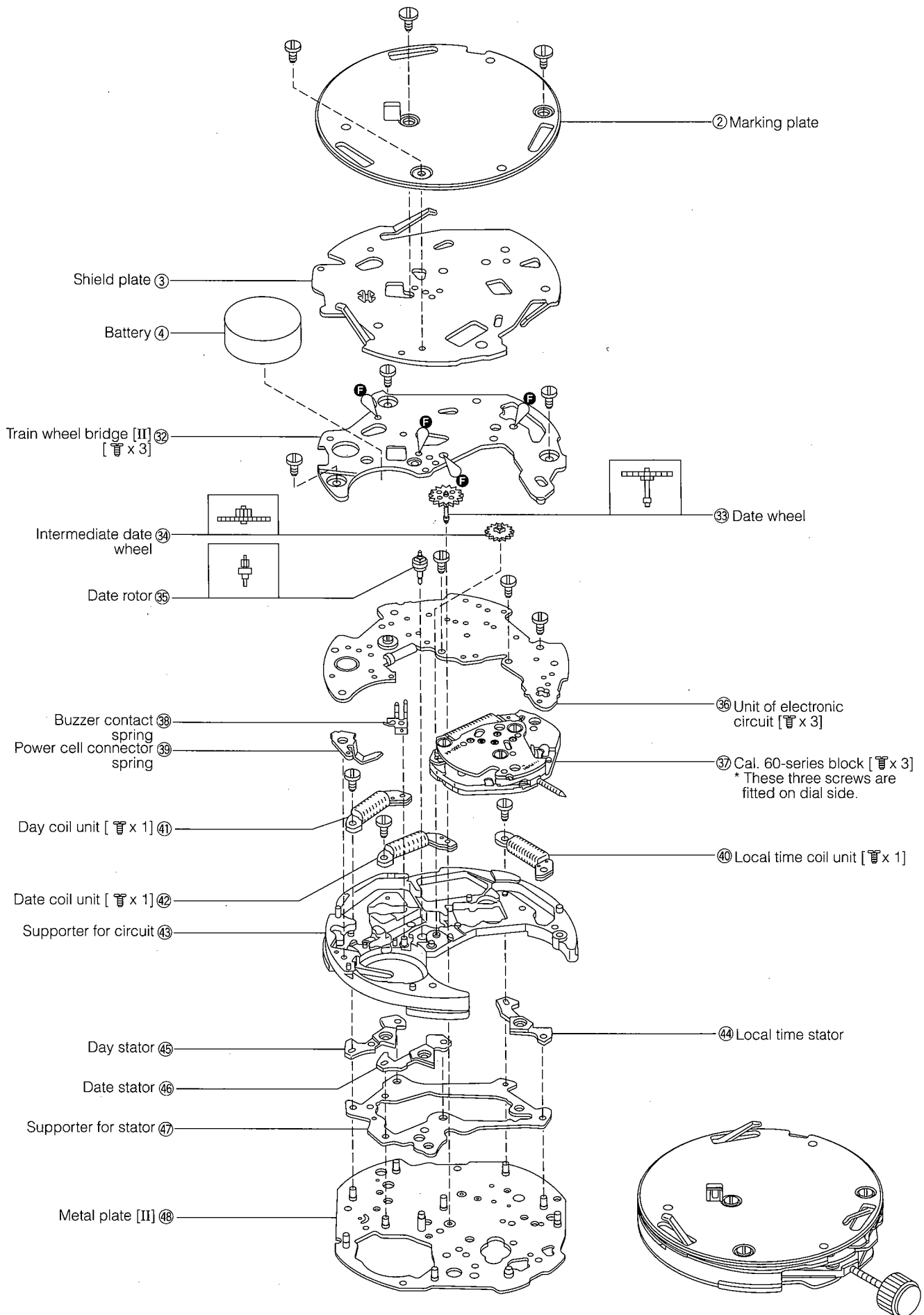
● Lubrication mark

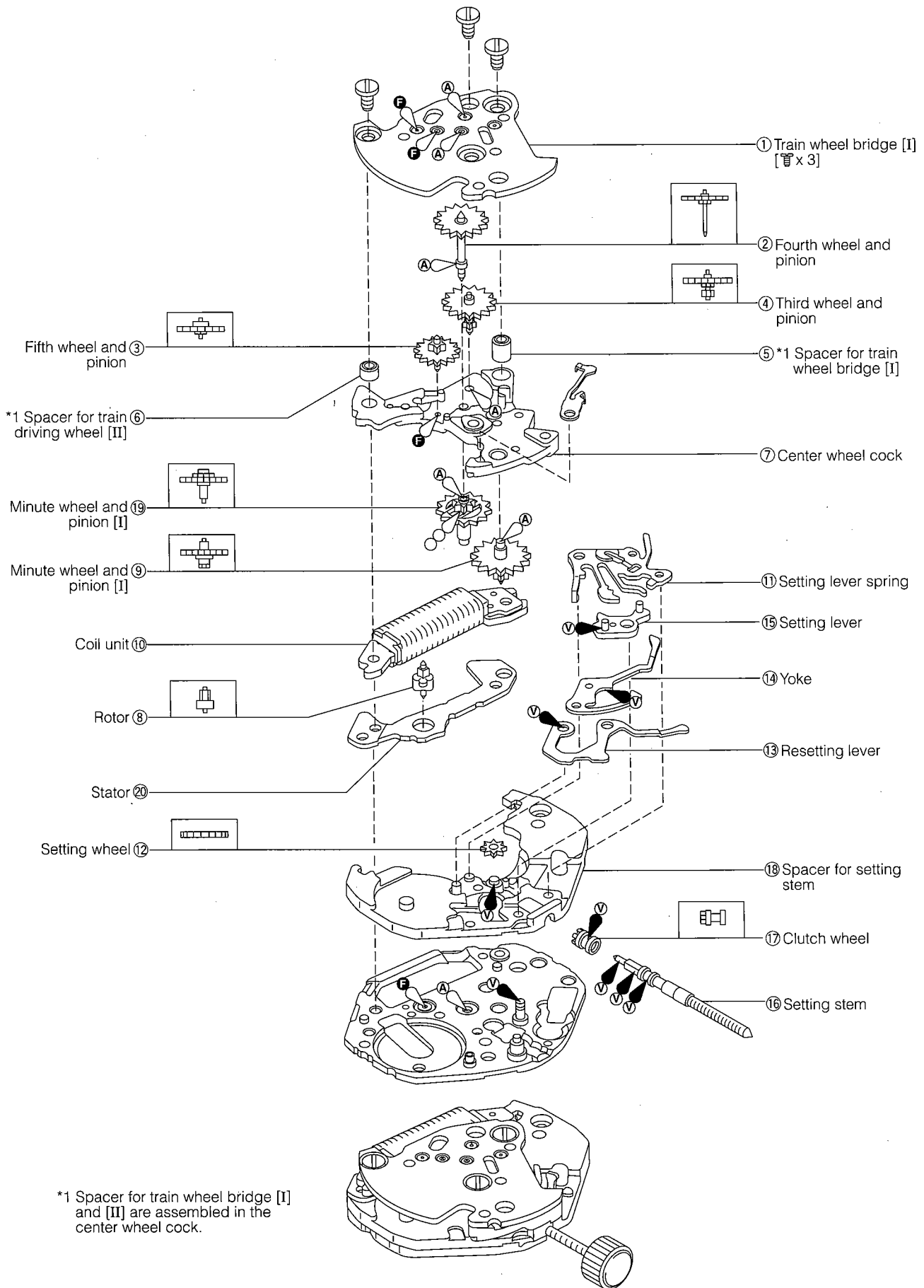
- Ⓐ : A-Lube oil
- Ⓥ : V-Lube oil
- ⓕ : F-Lube oil
- Ⓞ : CH-1 oil





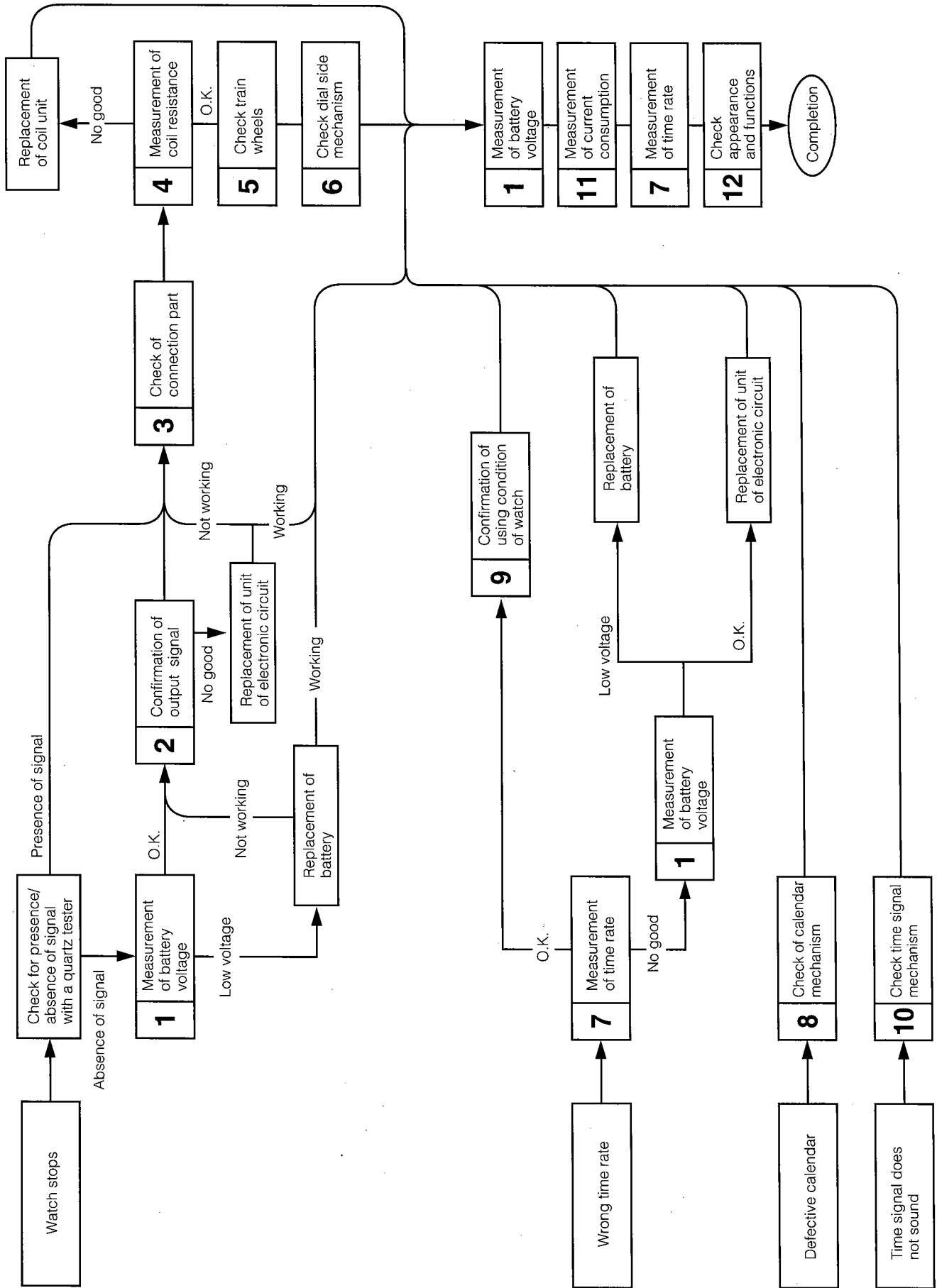
\*1. Screws of plate complete [I]  
 After removing the switch spring [I], remove these three screws.

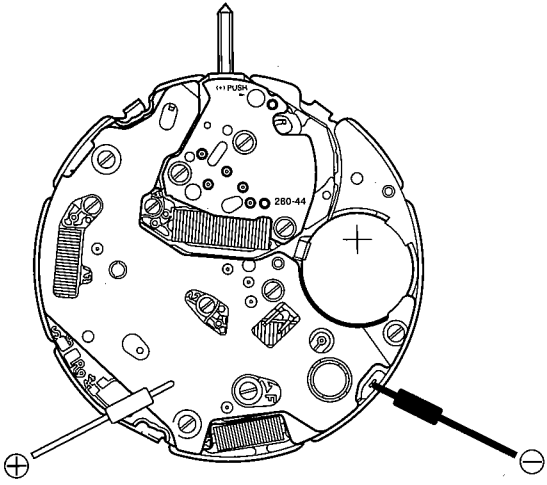
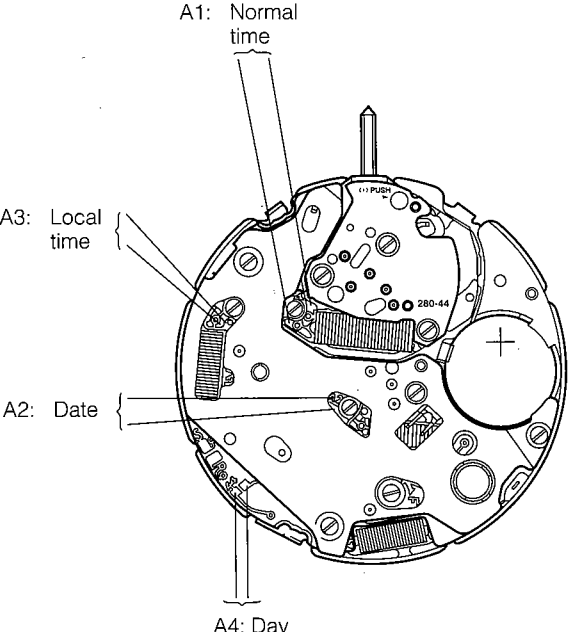


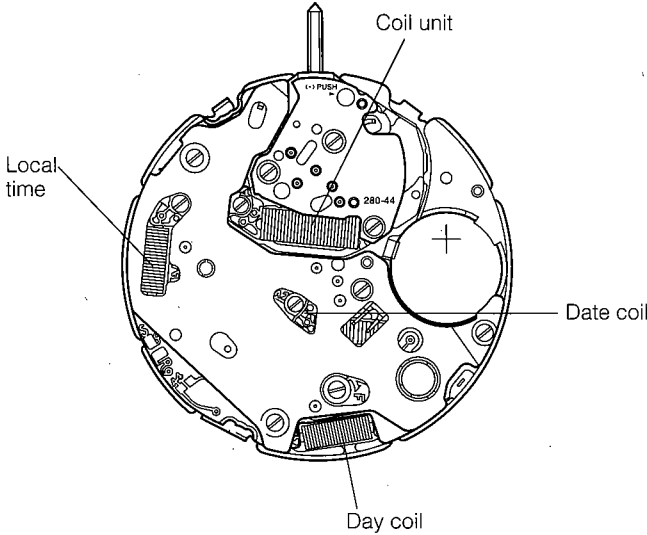




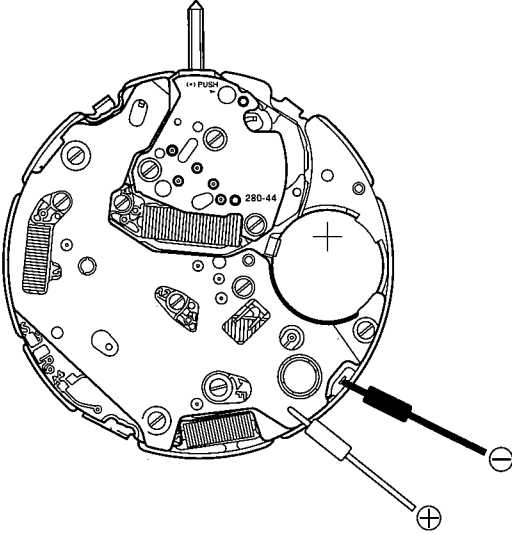
## §22. TROUBLESHOOTING AND ADJUSTMENT METHOD



Check Items	How to Check	Results and Treatment
<p>① Measurement of battery voltage</p>	<p>* Refer to Technical Manual, Basic Course: II-1-a for the setting procedure of the tester.</p> <p style="text-align: right;">&lt;Tester range: D.C. 3.0V&gt;</p> 	<ul style="list-style-type: none"> <li>• Over 1.5V → Normal</li> <li>• Under 1.5V → Replace the battery.</li> </ul>
<p>② Check of output signal</p>	<p>* Refer to Technical Manual, Basic Course: II-1-b for the setting procedure of the tester.</p> <p>Measuring method</p> <ul style="list-style-type: none"> <li>• Measure A1 output signal with the crown at the normal position.</li> <li>• When measuring the A2, A3, and A4, press and hold the (A), (B), and (C) buttons respectively</li> </ul> <p>* Measure with the module installed in the case.</p> <p style="text-align: right;">&lt;Tester range: D.C. 0.3V&gt;</p> 	<ul style="list-style-type: none"> <li>• A1 output signal (Normal time) Tester pointer swings at interval of 1 sec. → OK</li> <li>• A2 output signal (Date)</li> <li>• A3 output signal (Local time)</li> <li>• A4 output signal (Day) Tester pointer swings. → OK</li> </ul>

Check Items	How to Check	Results and Treatment
<p>③ Check of connection part</p>	<p>* Refer to the analog part of Technical Manual, Basic course II-2-a.</p> <p>If the output signal cannot be obtained for checking, dust may be caught between electronic circuit unit and each part.</p> <p>When the fixing screws of the electronic circuit unit are loosened, the output signal may not be obtained. Tighten those screws securely.</p>	<ul style="list-style-type: none"> <li>Dust and dirt → Remove</li> </ul>
<p>④ Measurement of coil resistance</p>	<p>* Refer to Technical Manual, Basic Course: II-1-c for the setting procedure of the tester.</p> <p style="text-align: center;">&lt;Tester range: R x 10Ω&gt;</p> 	<p>Resistance</p> <ul style="list-style-type: none"> <li>Coil unit 2.0 kΩ ~ 2.5 kΩ → Non-defective</li> <li>Local time coil unit / Date coil unit / Day coil unit 1.3 kΩ ~ 1.7 kΩ → Non-defective</li> </ul>
<p>⑤ Check of train wheel</p>	<p>* Refer to Technical Manual, Basic Course: II-2-b.</p> <ol style="list-style-type: none"> <li>Confirm all the gears are meshed smoothly.</li> <li>Confirm reset lever works securely.</li> <li>Confirm all the parts are properly lubricated.</li> </ol>	
<p>⑥ Check of dial side mechanism (Calendar)</p>	<p>* Refer to Technical Manual, Basic Course: II-2-c.</p>	

Check Items	How to Check	Results and Treatment
<p>⑦ Measurement / adjustment of time rate</p>	<p>* Refer to the analog part of Technical Manual, Basic course II-2-d.</p> <p>Measure the time with CITIZEN QUARTS TESTER and adjust it if necessary.</p> <ul style="list-style-type: none"> <li>• Measurement of time rate The major time can be measured with the tester in any range.</li> <li>• Adjustment of time rate Adjust the time rate with the trimmer condenser.</li> </ul> <p><b>Do not measure the time rate under the direct sunlight or incandescent lamp. If measured under them, the time rate may shift and may not be measured correctly.</b></p>	
<p>⑧ Check of calendar mechanism</p>	<p>If the calendar is not correct, press the © button for about 3 second (with the crown at the normal position), and the each calendar hand moves fast, then stops (for about 20 seconds). At this time, confirm that the calendar hands are at the following positions.</p> <ul style="list-style-type: none"> <li>• Year/month, and date hands: 12 o'clock position (Top)</li> <li>• Day hand (Mode hand): SUN position</li> </ul>	<ul style="list-style-type: none"> <li>• The calendar hands are not set to initial positions. → Perform initial setting.</li> </ul>
<p>⑨ Confirmation of using condition of watch</p>	<p>Refer to Technical Manual, Basic Course: II-2-e.</p>	
<p>⑩ Check of alarm sound mechanism</p>	<ul style="list-style-type: none"> <li>• Check the buzzer contact spring for deformation.</li> <li>• Check the piezo-electric element for crack or breakage.</li> </ul>	<ul style="list-style-type: none"> <li>• If any trouble is found by the check, replace the part.</li> <li>• If no troubles are found, replace the electronic circuit unit.</li> </ul>

Check Items	How to Check	Results and Treatment
<p>⑪ Measurement of current consumption</p>	<p>* Refer to Technical Manual, Basic course II-1-f for the setting procedure of the tester. &lt;Tester range: D.C. 12<math>\mu</math>A&gt;</p>  <p>* Precautions in measurement of current consumption</p> <ol style="list-style-type: none"> <li>1. This watch is equipped with a load compensation circuit. This circuit adjusts the drive output according to the wave form obtained when the rotor rotates. This function works for 10 - 30 sec after the battery is set. At this time, "abnormal current consumption" is indicated. In this case, wait for at least 30 sec to measure correctly.</li> <li>2. If the module is exposed to the light of an incandescent lamp or the sun, much current may be consumed. The light of a fluorescent lamp does not affect the current consumption.</li> </ol>	<ul style="list-style-type: none"> <li>• Under 1.3 <math>\mu</math>A → Non-defective</li> <li>• Perform this test with the module in the case. Measure the current consumption by the following method.</li> <li>• Measure the current consumption with the test lead bars kept applied.</li> </ul> <ol style="list-style-type: none"> <li>1. Pull out the crown two steps.</li> <li>2. Push the three buttons at the same time for at least 2 seconds (All Reset)</li> <li>3. Push the © button 2 or 3 times repeatedly.</li> <li>4. Return the crown to the normal position and pull it out two steps again.</li> <li>5. Return the crown to the normal position, and the current consumed by the module under ordinary condition can be measured.</li> </ol> <p>* Be sure to perform initial setting after measurement of current consumption.</p>
<p>⑫ Check of appearance and functions</p>	<p>* Refer to Technical Manual, Basic course II-2-f.</p> <ol style="list-style-type: none"> <li>1. Confirm there is not dust, dirt, etc. on the dial.</li> <li>2. Confirm the crown works normally.</li> </ol>	<ul style="list-style-type: none"> <li>• If any trouble is found by the check, replace the part.</li> </ul>



## §1. CARACTERÍSTICAS

Este reloj de cuarzo analógico CITIZEN está diseñado con funciones de hora normal, alarma, hora local y calendario con una función de hora de repetidor audible especial.

- La función de REPETIDOR le permite determinar la hora actual usando simplemente los botones del reloj.
- El ajuste del CALENDARIO es completamente automático.

### FUNCIONES DE ALARMA

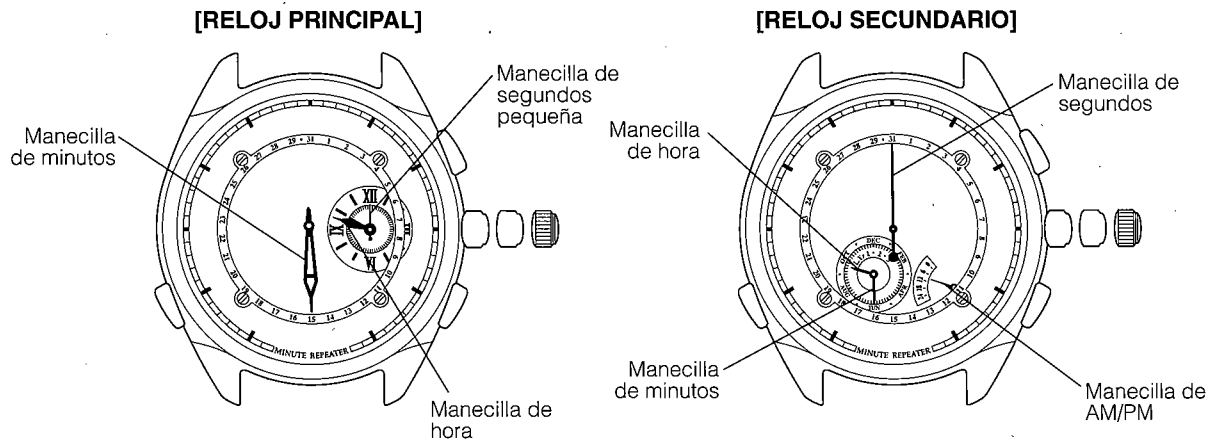
- La ALARMA 1 (AL-1) le permite ajustar la hora de alarma deseada de manera rápida y fácil. La alarma suena una vez a la hora ajustada y luego cancela automáticamente el ajuste de alarma.
- La ALARMA 2 (AL-2) utiliza un sonido diferente para la mañana, tarde y noche.
- La ALARMA DE HORÁ LOCAL (L-AL) suena todos los días a la hora local ajustada.
- Los ajustes de la HORA LOCAL (L-TM) pueden realizarse en incrementos de 30 minutos.

## §2. ESPECIFICACIONES

Núm. de calibre	<b>6765A/6766A</b>
Tipo	Reloj analógico de cuarzo de múltiples manecillas
Tamaño del mecanismo (mm)	ø32,5 x 4,85 de grosor
Precisión	±20 segundos por mes a temperaturas normales (+5°C a +35°C)
Circuito integrado	C/MOS-LSI (1 unidad)
Gama de temperatura efectiva	-10°C a +60°C
Frecuencia de oscilación de cuarzo	32.768 Hz
Funciones adicionales	<ul style="list-style-type: none"> <li>• Calendario con visualización de manecillas Día, fecha (visualización normal), mes, año bisiesto (visualización dependiendo del cambio con el botón pulsador), ajuste automático de final de mes y año bisiesto</li> <li>• Alarma 1: La alarma suena una vez a la hora ajustada (el ajuste se cancela).</li> <li>• Alarma 2: La alarma suena todos los días a la hora ajustada (alarma diaria).</li> <li>• Hora local: Hora, minutos, indicación de AM/PM, ajustes en incrementos de 30 minutos.</li> <li>• Alarma de hora local: La alarma suena todos los días a la hora ajustada (local). * Las alarmas 1 / 2 y alarma de hora local pueden ser ajustadas todas en incrementos de un minuto.</li> <li>• Zumbido de señal horaria (Repetidor): Se usan dos zumbidos de sonido diferentes para las señales de hora y minuto, se usan para indicar la hora actual.</li> <li>• Monitor de sonido: Permite la confirmación de todos los sonidos de alarma de las alarmas 1 / 2 y hora local.</li> <li>• Otros: Indicación de advertencia de ajustes de hora sin completar. Indicación de advertencia de ajustes iniciales sin completar.</li> </ul>
Pila	1 pila de óxido de planta
Núm./Código de pila	280-44 (SR927W)
Duración de pila	Alrededor de 2 años (en las condiciones de utilización mencionadas a continuación) Alarma 1: una vez durante 10 segundos/semana Alarma 2: una vez durante 16 segundos/día Alarma de hora local: una vez durante 15 segundos/semana Zumbido de señal horaria: una vez cada 17 segundos/día * La duración de la pila dependerá de las condiciones de utilización de las alarmas.

\* Las especificaciones están sujetas a cambio sin previo aviso.

### §3. USANDO EL RELOJ



Ajuste el reloj principal y reloj secundario a la hora actual simultáneamente. (Vea la parte titulada "§5. AJUSTANDO LA HORA".)

El zumbido de señal horaria (Repetidor) se activa basado en el reloj secundario. Esta función no funcionará apropiadamente si el reloj secundario no está ajustado.

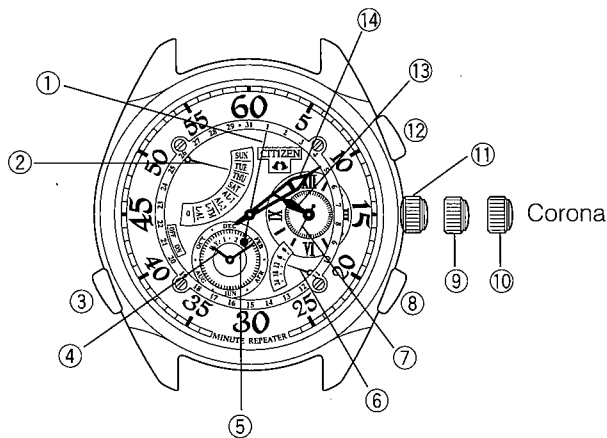
Si hay una diferencia de tiempo de un minuto (más o menos) entre el zumbido de la señal horaria y el ajuste de la hora del reloj principal, reajuste el Reloj Secundario a la misma hora que el Reloj principal.

**Ejemplo:** Si el zumbido de la señal horaria está atrasada un minuto, ajuste el Reloj Secundario avanzando un minuto.

#### Usando la correa del reloj

Si el reloj es usado muy apretadamente, puede ser difícil escuchar claramente el zumbido de la señal horaria y el sonido de alarma. Para mejores resultados, permita un espacio de un dedo entre la pulsera del reloj y su muñeca.

### §4. FUNCIONES Y COMPONENTES PRINCIPALES



#### Notas:

- Este reloj visualiza el número de años desde el año bisiesto.
- La manecilla de AM/PM debe solamente ser usada para distinguir entre la mañana y tarde. No debe usarse como un visualización de hora de 24 horas.
- \* El diseño puede diferir de acuerdo al modelo.

①	Manecilla de segundos del reloj secundario <ul style="list-style-type: none"> <li>• Manecilla de fecha</li> <li>• Manecilla de ACTIVACIÓN/DESACTIVACIÓN de alarma</li> </ul>
②	<ul style="list-style-type: none"> <li>• Manecilla de día</li> <li>• Manecilla de modo</li> </ul>
③	Botón (C) <ul style="list-style-type: none"> <li>• Interruptor de modo</li> <li>• Ajuste de día</li> </ul>
④	Manecilla de hora del reloj secundario <ul style="list-style-type: none"> <li>• Manecilla de hora de la hora local</li> <li>• Manecilla de hora de alarma</li> <li>• Manecilla de año</li> </ul>
⑤	Manecilla de minutos del reloj secundario <ul style="list-style-type: none"> <li>• Manecilla de minutos de la hora local</li> <li>• Manecilla de minutos de alarma</li> <li>• Manecilla de mes</li> </ul>
⑥	Manecilla de AM/PM
⑦	Manecilla de segundos pequeña del reloj principal
⑧	Botón (B) <ul style="list-style-type: none"> <li>• Ajuste de año/mes</li> <li>• Modo de visualización de año/mes</li> </ul>
⑨	1ra. posición de ajuste <ul style="list-style-type: none"> <li>• Ajuste de calendario</li> </ul>
⑩	2da. posición de ajuste <ul style="list-style-type: none"> <li>• Ajuste de hora</li> </ul>
⑪	Posición normal
⑫	Botón (A) <ul style="list-style-type: none"> <li>• Zumbido de señal horaria (Repetidor)</li> <li>• Ajuste de fecha</li> <li>• ACTIVACIÓN/DESACTIVACIÓN de alarma</li> </ul>
⑬	Manecilla de hora del reloj principal
⑭	Manecilla de minutos del reloj principal



## Funciones de botón

Corona	Modo	Botón (A)	Botón (B)	Botón (C)	Rotación de corona
<b>Posición normal</b>	Visualización normal	*Zumbido de señal horaria (Repetidor)	*Visualización de calendario	Interruptor de modo *Monitor de posición inicial de manecilla de reloj	_____
	Visualización de calendario	A la visualización normal	A la visualización normal	A la visualización normal	_____
	Ajuste de alarma 1	*Monitor de sonido (DESACTIVADO) Cancelación de alarma (ACTIVADO)	Ajuste de alarma	*Interruptor de modo Monitor de posición inicial de manecilla de reloj	_____
	Ajuste de alarma 2	Interruptor de ACTIVACIÓN/ DESACTIVACIÓN *Monitor de sonido	Ajuste de alarma	*Interruptor de modo Monitor de posición inicial de manecilla de reloj	_____
	Ajuste de hora local	_____	Ajuste de hora local	*Interruptor de modo Monitor de posición inicial de manecilla de reloj	_____
	Ajuste de alarma de hora local	Interruptor de ACTIVACIÓN/ DESACTIVACIÓN *Monitor de sonido	Ajuste de alarma de hora local	*Interruptor de modo Monitor de posición inicial de manecilla de reloj	_____
	Ajuste de segundos	Ajuste de segundos	_____	Interruptor de modo Monitor de posición inicial de manecilla de reloj*	_____
<b>1ra. posición de ajuste</b>	(Ajuste de calendario)	Ajuste de fecha	Ajuste de mes, de año bisiesto	Ajuste de día	_____
<b>2da. posición de ajuste</b>	(Ajuste de hora)	Ajuste de segundos del reloj secundario	Ajuste de hora, minutos del reloj secundario	_____	Ajuste de hora, minutos del reloj principal

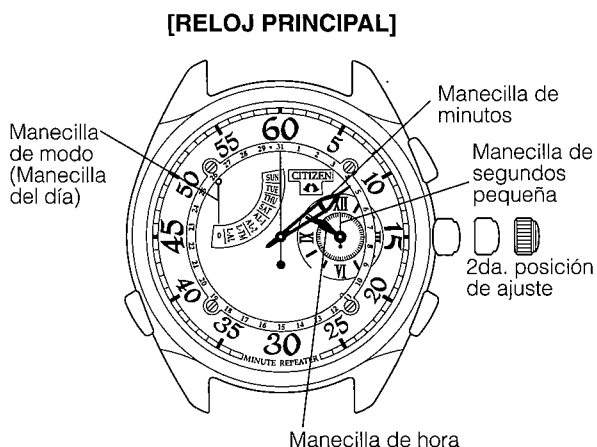
\*: Presione y mantenga presionado (durante un segundo o 2 - 3 segundos)

## Funciones de las manecillas

Corona	Modo	Hora, minutos y segundos del reloj principal	Hora, minutos y segundos del reloj secundario	Manecilla de AM/PM	Manecilla de fecha	Manecilla de modo
<b>Posición normal</b>	Modo normal	Hora, minutos y segundos del reloj principal	Hora y minutos de la hora local	AM/PM local	Fecha (reloj principal)	Día (reloj principal)
	Visualización de calendario	Hora, minutos y segundos del reloj principal	Año bisiesto, mes (reloj principal)	_____	Fecha (reloj principal)	Día (reloj principal)
	Ajuste de alarma 1	Hora, minutos y segundos del reloj principal	Hora de alarma, minutos	AM/PM de alarma	ACTIVADO	AL-1
		Hora, minutos y segundos del reloj principal	Hora y minutos (reloj principal)	AM/PM (reloj principal)	DES-ACTIVADO	AL-1
	Ajuste de alarma 2	Hora, minutos y segundos del reloj principal	Hora de alarma, minutos	AM/PM de alarma	ACTIVADO/ DES-ACTIVADO	AL-2
	Ajuste de hora local	Hora, minutos y segundos del reloj principal	Hora y minutos de la hora local	AM/PM de hora local	(a las 12 en punto)	L-TM
	Ajuste de alarma de hora local	Hora, minutos y segundos del reloj principal	Hora y minutos de la hora de alarma de la hora local	AM/PM de alarma	ACTIVADO/ DES-ACTIVADO	L-AL
Ajuste de segundos	Hora, minutos y segundos del reloj principal	Hora y minutos (reloj principal)	AM/PM (reloj principal)	Segundos (reloj principal)	0	
<b>Primera posición</b>	Ajuste de calendario	Hora, minutos y segundos del reloj principal	Año bisiesto y mes	_____	Fecha (reloj principal)	Día (reloj principal)
<b>Segunda posición</b>	Ajuste de hora	Hora, minutos y segundos del reloj principal	Hora y minutos	AM/PM (reloj secundario)	Segundos (reloj principal)	0

## §5. AJUSTANDO LA HORA

Cuando ajuste la hora actual, es necesario ajustar tanto el reloj principal como el reloj secundario a la misma hora. Si el reloj secundario no coincide con el reloj principal, el repetidor y la alarma no sonarán apropiadamente.



- (1) Tire de la corona hacia afuera a la 2da. posición de ajuste cuando la manecilla de segundos pequeña se encuentre en la posición 0 (12 en punto) y se para.

\* Cuando la corona es extraída hacia afuera a la 2da. posición de ajuste, la manecilla de modo apunta a "0." Al mismo tiempo, la manecilla de fecha cambia a la manecilla de segundos del reloj secundario y se mueve a la posición 0 (12 en punto) y se para.

- (2) Gire la corona en cualquier sentido para ajustar el reloj principal a la hora actual.

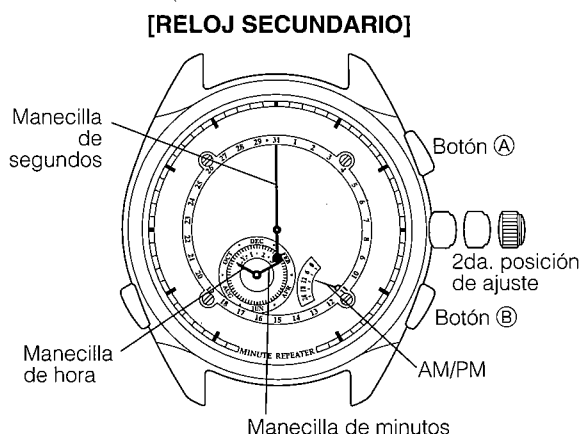
- (3) Presione el botón (B) para ajustar el reloj secundario a la hora actual.

\* El ajuste de hora avanza un minuto cada vez que se presiona el botón (B). Presione y mantenga presionado el botón (B) para avanzar rápidamente la manecilla de hora y minutos.

### Nota:

Las manecillas de hora y minutos del reloj secundario están sincronizadas con la manecilla de AM/PM. Observe la manecilla de AM/PM cuando se fija el ajuste de hora del reloj secundario, para asegurar que el ajuste se realiza apropiadamente.

- (4) Cuando la manecilla de segundos del reloj secundario no está alineada con la posición "0 seg.", presione el botón (A) para ajustarla a esa posición.



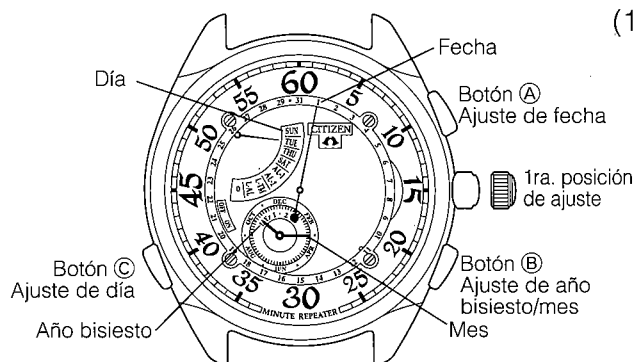
Presione el botón (A) para avanzar la manecilla de segundos en incrementos de 1 segundo.

Presione y mantenga presionado el botón (A) para avanzar rápidamente la manecilla de segundos.

- (5) Empuje la corona hacia adentro a la posición normal en el momento deseado, para iniciar el funcionamiento del reloj a la hora actual. En este momento, el reloj secundario retorna a su función normal como la manecilla de fecha.

Manecilla de modo cambia para indicar el día normalmente.

## §6. AJUSTANDO EL CALENDARIO



- (1) Tire de la corona hacia afuera a la 1ra. posición de ajuste.

En este momento, las manecillas de hora y minutos de la hora local cambian a las manecillas de año bisieστο y mes.

\* Las manecillas de calendario avanzan un incremento cada vez que se presionan los botones (A) o (B).

Presione y mantenga presionado los botones (A) o (B) para avanzar rápidamente las manecillas del calendario.

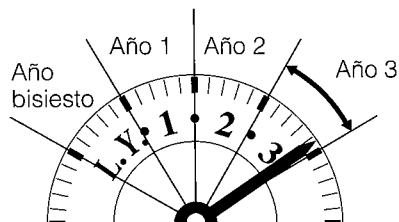
(2) <Ajuste de fecha>

\* Presione el botón (A) para ajustar la fecha.

(3) <Ajuste de año bisiesto/mes>

- Compruebe el número de años siguiendo el año bisiesto para el año actual (vea a continuación).
- Presione el botón (B) para ajustar el año bisiesto y mes. La manecilla de año está sincronizada con la manecilla de mes.

☆ Leyendo la visualización de año bisiesto



El año bisiesto y los años siguientes al año bisiesto se visualizan como se muestra en el diagrama. Cuando la manecilla de año se encuentra en la posición  $\bullet \rightarrow 3 \leftarrow \bullet$ , la lectura es "el tercer año siguiendo al año bisiesto."

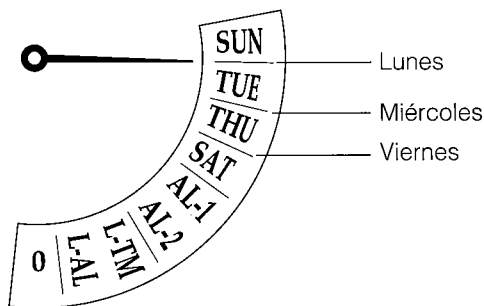
☆ Visualización de año bisiesto

2004	Año bisiesto	2008	Año bisiesto	2012	Año bisiesto
05	Año 1	09	Año 1	13	Año 1
06	Año 2	10	Año 2	14	Año 2
07	Año 3	11	Año 3	15	Año 3

(4) <Ajuste de día>

- Presione el botón (C) para ajustar el día.
  - Presionando el botón (C) avanza la manecilla un día a la vez.
- El avance rápido no es una característica de esta función.

☆ Leyendo la visualización de día



La línea entre "SUN" (Domingo) y "TUE" (Martes) representa "Lunes", etc.

(5) Empuje la corona en toda su extensión a la posición normal, cuando los ajustes se hayan completado.

\* El calendario no funcionará apropiadamente cuando la corona es dejada en la 1ra. posición de ajuste.

**Calendario de ajuste libre**

Esta función le permite usar su reloj sin necesidad de realizar ajustes a fin de mes o de año bisiesto.

**Ejemplo:**

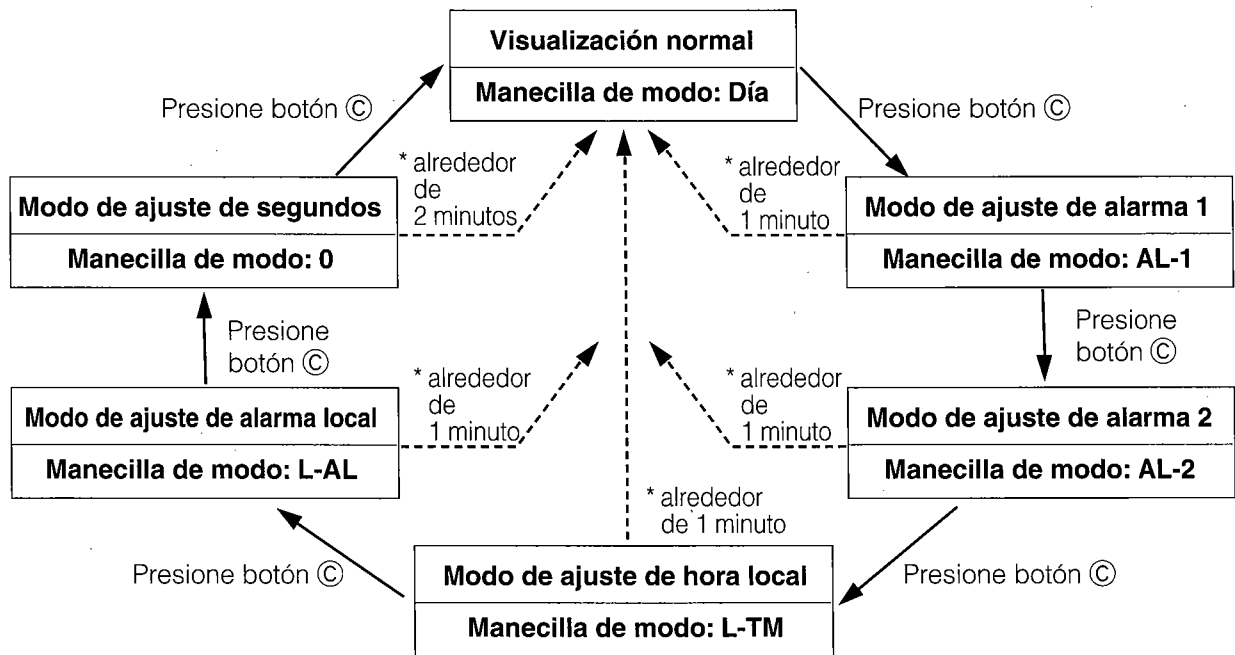
- Fin de mes: 11/30 → 12/1 Ajuste automático
- Año bisiesto: 2/29 (Año bisiesto) → 3/1 Ajuste automático
- 2/28 (Año ordinario) → 3/1 Ajuste automático

• Aunque el calendario esté ajustado a una fecha no existente, se ajustará automáticamente al día 1 del mes siguiente cuando se empuje la corona hacia adentro a la posición normal.

Ejemplo: 11/31 → 12/1

\* El día no cambia automáticamente bajo esta función.

## §7. CAMBIANDO LOS MODOS

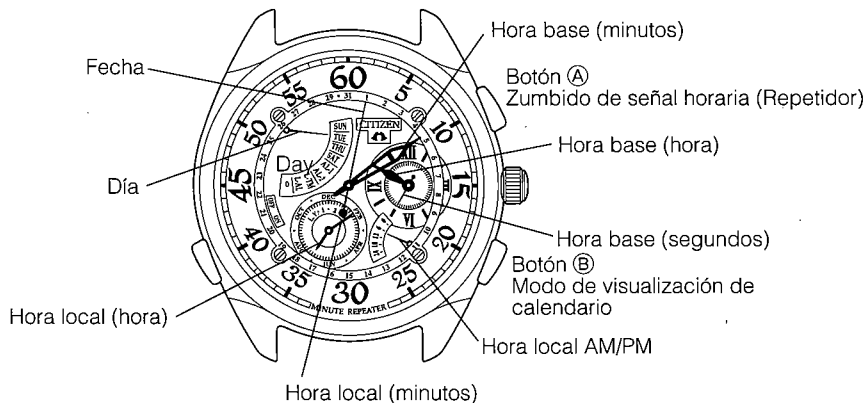


\*: Si no se realiza ningún ingreso, el reloj retorna automáticamente a la visualización normal.

## §8. VISUALIZACIÓN NORMAL

La visualización de hora normal aparece de la manera siguiente.

**Ejemplo** : Hora base 10:09:35/1/TUE (Martes)  
: Hora local AM 7:09

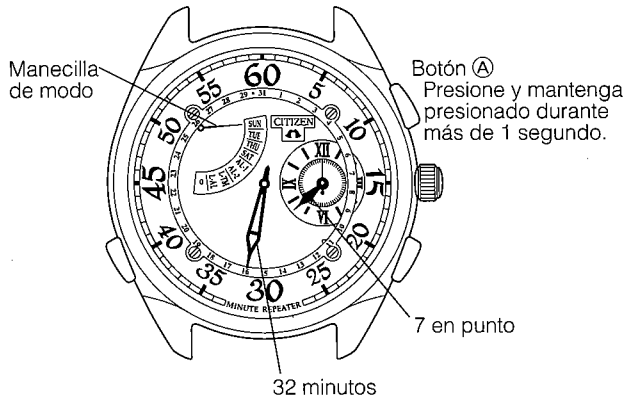


Presione el botón **A** para hacer sonar el zumbido de la señal horaria (vea la parte titulada "1. Zumbido de señal horaria (Repetidor)").

Presione el botón **B** para visualizar el calendario (vea la parte titulada "2. Visualización de calendario").

## 1. Zumbido de señal horaria (Repetidor)

Esta función permite indicarle la hora actual mediante el sonido de zumbido del reloj.



### [Corona en la posición normal]

\* Esta función no funcionará a menos que la manecilla de modo esté ajustada a la visualización de día (normal).

- (1) Presione y mantenga presionado el botón **A** durante más de 1 segundo, para activar el sonido de zumbido. El zumbido de la señal horaria (Repetidor) opera bajo el sistema de 12 horas.

### Ejemplo: Desea hacer que el zumbido del reloj suene a las 7:32.

- 1) Manecilla de hora: Un zumbido de altura tonal alta suena 7 veces a intervalos de 1 segundo (7 veces = 7 en punto).
- 2) Sonido de cuarto: Un zumbido altura tonal alta y otro de baja suena 2 veces a intervalos de 1 segundo (1/4HR M 2=30 minutos).
- 3) Sonido de minuto: Un zumbido baja altura tonal suena 2 veces a intervalos de 1 segundo (2 veces = 2 minutos).

Al ejecutarse el sonido anterior, sabe que la hora es ahora 7:32.

\* Presione cualquier botón mientras el zumbido se está ejecutando para parar el sonido.

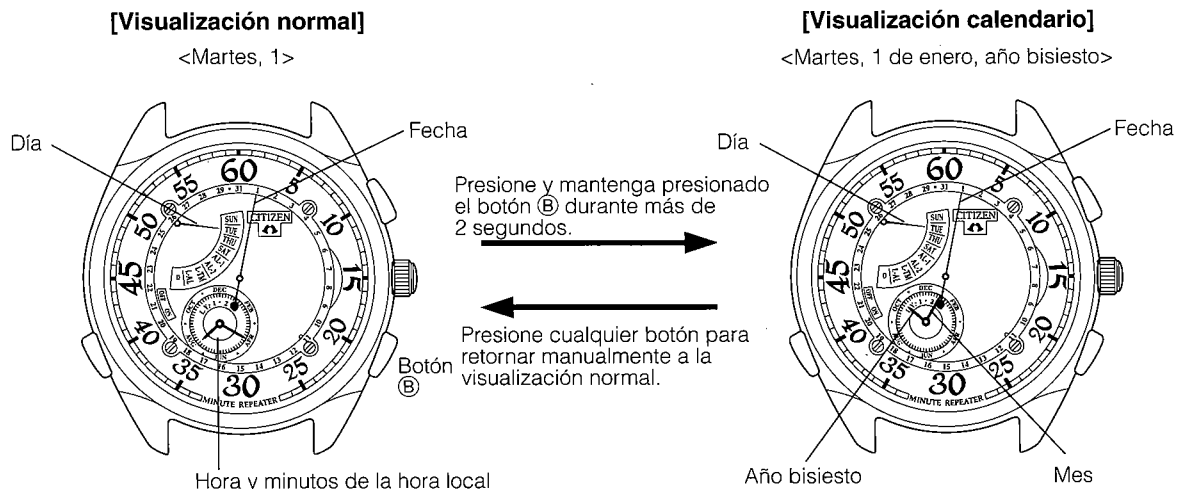
#### Notas:

- El sonido de zumbido no puede activarse mientras se visualiza el calendario.
- La hora no está ajustada apropiadamente si la visualización de hora y el sonido de zumbido no están sincronizados. Vea la parte titulada "§5. AJUSTANDO LA HORA".

## 2. Visualización de calendario

La función de calendario visualiza la fecha y día de la semana normalmente.

También es posible visualizar el mes y las indicaciones de calendario de año bisiesto usando el botón **B** del reloj.



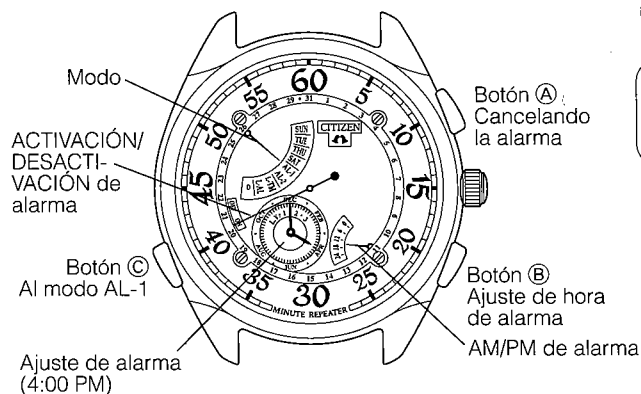
- Empuje la corona hacia adentro a la posición normal.
- Presione y mantenga presionado el botón **B** durante más de 2 segundos, para cambiar la manecilla de hora y minutos de la hora local a las manecillas de año bisiesto y mes.

## §9. ALARMA 1 (AL-1)

**(Alarma 1) ...** Le permite ajustar la hora de alarma deseada en forma rápida y fácil. La alarma suena una a la hora ajustada y luego el ajuste de alarma se cancela.

### Ajustando la alarma 1

- La alarma puede ajustarse en incrementos de un minuto.
- AM/PM puede determinarse con la manecilla de AM/PM.
- Las manecillas de hora de alarma, minuto y la manecilla de AM/PM se encuentran sincronizadas.
- Presione una vez el botón **(B)** para avanzar las manecillas de alarma en un minuto cada vez. Presione y mantenga presionado el botón **(B)** para usar la función de avance rápido.



### [Corona en la posición normal]

#### Ejemplo:

Se desea que la alarma suene a las 4:00 PM

- (1) Presione el botón **(C)** para mover la manecilla de modo a la posición AL-1. En este momento, las manecillas de alarma y la manecilla de AM/PM de alarma se moverán hasta la hora actual.
  - (2) Presione el botón **(B)** y ajuste la alarma a 4:00 PM. Confirme siempre la manecilla de AM/PM para asegurar que se realiza el ajuste apropiado.
    - \* Cuando se presiona el botón **(B)**, la manecilla de ACTIVACIÓN/DESACTIVACIÓN de alarma indica la condición de activación (ON).
- Notas:**
- Cuando la alarma está ajustada entre las 12:00 y 12:30 AM, la manecilla de alarma se desplaza hacia adelante y atrás en un arco de 30 minutos, y se para en la hora de ajuste.
  - Esto es normal y no indica ninguna falla de movimiento.
- (3) Presione 5 veces el botón **(C)** cuando se haya completado el ajuste. La manecilla de modo retornará a la visualización de día.

### [Acerca de la alarma 1]

La alarma 1 suena durante 10 segundos al alcanzar la hora de ajuste de alarma. Presione cualquier botón para parar la alarma.

### ☆Cancelando el ajuste de alarma

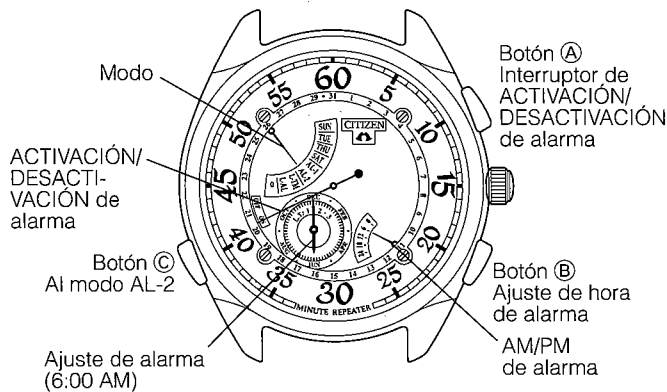
- Para desactivar (OFF) la alarma, presione el botón **(A)**.
  - \* En este momento, la hora de ajuste de alarma retorna a la visualización de hora actual.
  - \* Si no se realiza ningún ingreso durante alrededor de 1 minuto, el reloj retorna automáticamente desde el modo de alarma 1 (AL-1) a la visualización normal.

## §10. ALARMA 2 (AL-2)

**(Alarma 2 [Alarma diaria]) ...** Esta función permite que la alarma suene todos los días a la hora ajustada.

### Ajustando la Alarma 2 (alarma diaria)

- La alarma puede ser ajustada en incrementos de un minuto.
- AM/PM puede ser determinado con la manecilla de AM/PM.
- Las manecillas de hora y minutos de alarma, y la manecilla de AM/PM se encuentran sincronizadas.
- Presione una vez el botón (B) para avanzar las manecillas en un minuto cada vez. Presione y mantenga presionado el botón (B) para usar la función de avance rápido.



### [Corona en la posición normal]

#### Ejemplo:

Se desea ajustar la alarma para las 6:00 AM de todos los días.

- (1) Presione el botón (C) para mover la manecilla de modo a la posición AL-2. En este momento, las manecillas de hora local cambian a las manecillas de ajuste de hora y minutos, y la manecilla de fecha cambia a la función de ACTIVACIÓN/DESACTIVACIÓN de alarma.
  - (2) Presione el botón (B) y ajuste la alarma a las 6:00 AM. Confirme siempre la manecilla de AM/PM para asegurar que se realiza el ajuste apropiado.
    - \* Cuando se presiona el botón (B), la manecilla de ACTIVACIÓN/DESACTIVACIÓN de alarma indica la condición de activación (ON).
- Nota:**
- Cuando la alarma está ajustada entre las 12:00 y 12:30 AM, las manecillas de alarma se desplazan hacia adelante y atrás en un arco de 30 minutos, y se paran en la hora de ajuste. Esto es normal y no indica ninguna falla de movimiento.
- (3) Presione el botón (C) cuando se haya completado el ajuste, para mover la manecilla de modo de nuevo a la visualización de hora normal.

### [Acerca de la alarma diaria (Alarma 2)]

Dependiendo en la hora del día para la cual la alarma fue ajustada, el reloj hará sonar 3 alarmas diferentes.

- Mañana : Desde las 4:00 AM hasta las 11:59 AM (durante 14 segundos).
- Tarde : Desde las 12:00 del mediodía hasta las 5:59 PM (durante 15 segundos).
- Noche : Desde las 6:00 PM hasta las 3:59 AM (zumbido de 16 segundos).

Presione cualquier botón para parar la alarma.

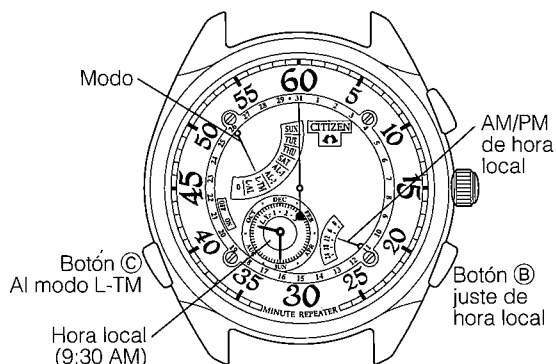
### ☆Cancelando el ajuste de alarma

- Para desactivar (OFF) la alarma, presione el botón (C) en el modo de AL-2.
- \* Si no se realiza ningún ingreso durante alrededor de 1 minuto, el reloj retorna automáticamente a la visualización normal.

## §11. HORA LOCAL (L-TM)

### Ajustando la hora local

- Los ajustes pueden realizarse en incrementos de 30 minutos.
- Las manecillas de hora y minutos de la hora local, y manecilla de AM/PM están sincronizadas.
- Presione una vez el botón (B) para avanzar en incrementos de 30 minutos. Presione y mantenga presionado el botón (B) para usar la función de avance rápido.



### [Corona en la posición normal]

#### Ejemplo:

Se desea sincronizar la hora actual en Tokio (5:30 PM) con la hora local (actual) en París (9:30 AM).

- (1) Presione el botón (C) para mover la manecilla de modo a la posición L-TM. Al mismo tiempo, la manecilla de fecha se mueve a la posición 31 (12:00).

- (2) Presione el botón (B) para ajustar la hora local a las 9:30 AM. Confirme siempre la manecilla de AM/PM para asegurar que se realiza el ajuste apropiado.

#### Nota:

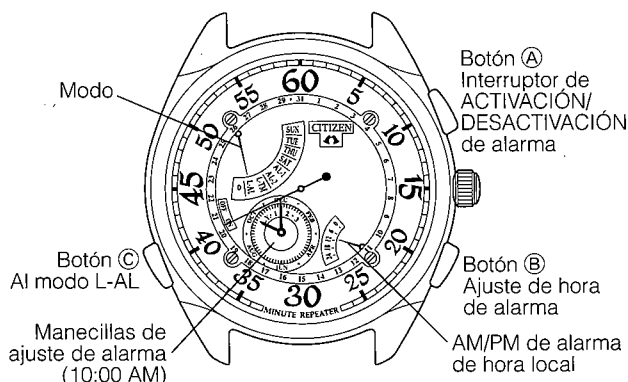
- Cuando la hora local está ajustada entre las 12:00 y 12:30 AM, las manecillas de hora local se desplazan hacia adelante y atrás en un arco de 30 minutos, y se paran en la hora de ajuste. Esto es normal y no indica ninguna falla de movimiento.
- (3) Presione 3 veces el botón (C) cuando se haya completado el ajuste, para mover la manecilla de modo de nuevo a la posición de modo normal.  
\* Si no se realiza ningún ingreso durante alrededor de 1 minuto, el reloj retorna automáticamente a la visualización normal.

## §12. ALARMA DE HORA LOCAL (L-AL)

**(Alarma de hora local [L-AL]) ...** Esta función permite que la alarma suene todos los días a la hora local ajustada.

### Ajustando la alarma de hora local

- La alarma puede ser ajustada en incrementos de 1 minuto.
- AM/PM puede ser determinado con la manecilla de AM/PM.
- Las manecillas de hora y minutos de la alarma, y la manecilla de AM/PM se encuentran sincronizadas.
- Presione una vez el botón (B) para avanzar las manecillas en incrementos de un minuto. Presione y mantenga presionado el botón (B) para usar la función de avance rápido.



### [Corona en la posición normal]

#### Ejemplo:

Se desea ajustar la alarma para que suene a las 10:00 AM hora de París.

- (1) Presione el botón (C) para mover la manecilla de modo a la posición L-AL. Al mismo tiempo, las manecillas de hora local cambian a las manecillas de ajuste de hora y minutos de la alarma, y la manecilla de fecha cambia a la manecilla de ACTIVACIÓN/DESACTIVACIÓN de alarma.



- (2) Presione el botón (B) para ajustar la alarma a las 10:00 AM. Confirme siempre la manecilla de AM/PM para asegurar que se realiza el ajuste apropiado.
- \* Presionando el botón (B) automáticamente mueve la manecilla de ACTIVACIÓN/DESACTIVACIÓN de alarma a la posición de activación (ON).

**Nota:**

- Cuando la alarma está ajustada entre las 12:00 y 12:30 AM, las manecillas de alarma se desplazan hacia adelante y atrás en un arco de 30 minutos, y se para en la hora de ajuste. Esto es normal y no indica ninguna falla de movimiento.
- (3) Presione el botón (C) cuando se haya completado el ajuste, para mover la manecilla de modo de nuevo a la posición de modo normal.

**[Acercas de la alarma de hora local]**

La alarma de hora local sonará a la hora ajustada durante 16 segundos.

Presione cualquier botón para parar la de alarma.

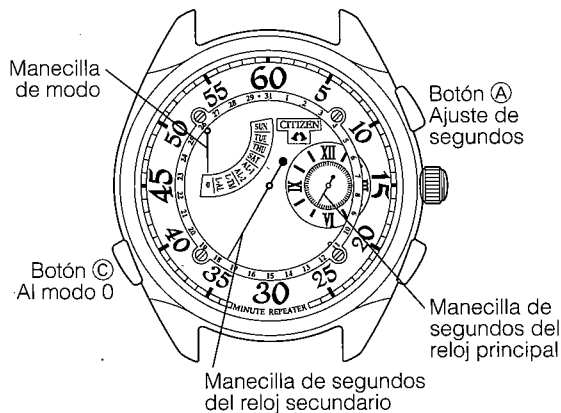
☆ **Cancelando el ajuste de alarma**

- Para desactivar (OFF) la alarma, presione el botón (A) en el modo L-AL.
- \* Si no se realiza ningún ingreso durante alrededor de 1 minuto, el reloj retorna automáticamente a la visualización normal.

**§13. AJUSTANDO LOS SEGUNDOS (0)**

Refiérase a "Ajuste de segundos" de abajo para instrucciones sobre el ajuste de las manecillas de los segundos.

**Ajuste de segundos**



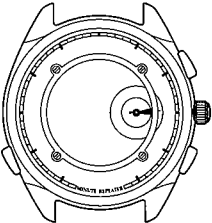



**[Corona en la posición normal]**

Ajuste las manecillas de segundos del reloj secundario a la hora actual.

- (1) Presione varias veces el botón (C) para mover al modo "0". La manecilla de fecha cambia a la función de manecilla de segundos del reloj secundario y se mueve a intervalos de 1 segundo.
- (2) Presione una vez el botón (A) al escuchar el sonido de una señal horaria para sincronizar ambas manecillas de segundo como se muestra en el diagrama de abajo.

- (3) Presione el botón (C) cuando se haya completado el ajuste, para mover a la visualización normal. (La manecilla de modo visualiza el modo de día.)

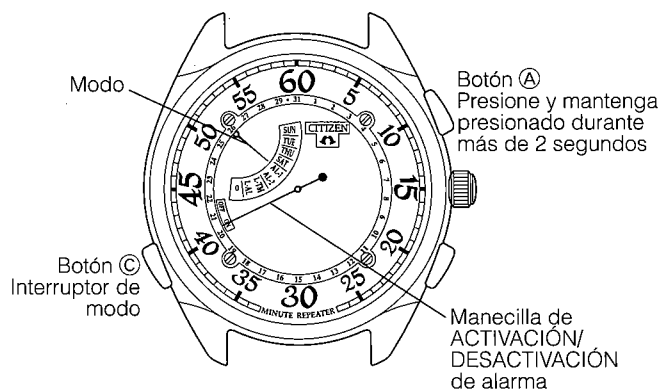
\*Si no se realiza ningún ingreso durante alrededor de 2 minutos, el reloj retorna automáticamente a la visualización normal.

	Posición de manecilla de segundos	
	Manecilla de segundos (Reloj principal)	Manecilla de segundos (Reloj secundario)
<b>0-29 SEG.</b>	 <ul style="list-style-type: none"> <li>• La manecilla de segundos se para. El movimiento comienza cuando la manecilla de segundos del reloj secundario llega a la misma posición.</li> </ul>	 <ul style="list-style-type: none"> <li>• La manecilla de segundos retrocede a la posición 0 y comienza a moverse.</li> </ul>
<b>30-59 SEG.</b>	 <ul style="list-style-type: none"> <li>• La manecilla de segundos retorna a la posición 0 y comienza a moverse. La manecilla de minutos de reloj principal avanza 1 minuto.</li> </ul>	 <ul style="list-style-type: none"> <li>• La manecilla de segundos avanza a la posición 0 y comienza a moverse. La manecilla de minutos del reloj secundario avanza un minuto.</li> </ul>

## §14. MONITOR DE SONIDO

La función de monitor de sonido se usa para confirmar que la alarma suena en los modos de alarma 1, alarma 2 y alarma de hora local.

### Monitor de sonido



#### [Corona en la posición normal]

- (1) Presione el botón C para mover la manecilla de modo al modo de alarma que desea monitorear (Alarma 1, alarma 2 o alarma de hora local).
- (2) Presione el botón A durante más de 2 segundos para activar el monitor de sonido.

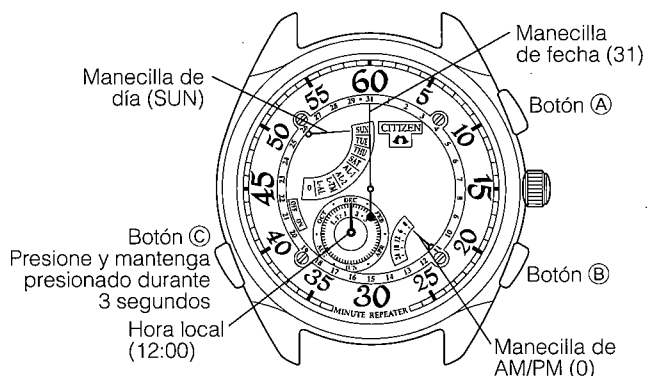
#### Notas:

- La alarma 1 solamente sonará cuando la manecilla de ACTIVACIÓN/DESACTIVACIÓN de alarma (manecilla de fecha) se encuentra en la posición de desactivación (OFF).
- Cuando la alarma 2 y la alarma de hora local estén ajustadas a activación (ON) o desactivación (OFF).

## §15. MONITOREO INICIAL

**Posicionamiento de las manecillas del reloj ...** Esta función le permite comprobar y confirmar la posición apropiada para cada una de las manecillas del reloj.

### Comprobando la posición de las manecillas del reloj



#### [Corona en la posición normal]

\* Esta función puede usarse con la manecilla de modo en cualquier posición.

- (1) Presione y mantenga presionado el botón C durante más de 3 segundos para mover las manecillas a las posiciones iniciales siguientes.

Manecilla de fecha: 31
Manecilla de día: SUN
Hora local: 12:00
Manecilla de AM/PM: 0

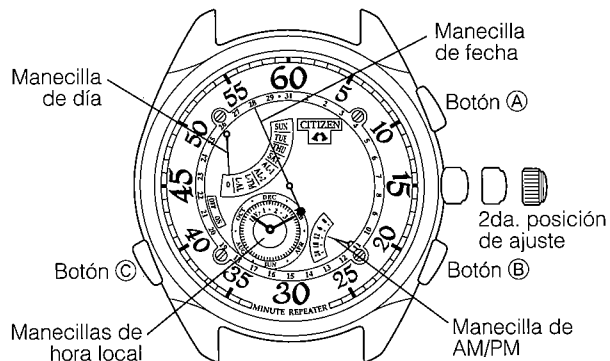
Si las manecillas no se mueven a las posiciones anteriores, vea la parte titulada "§16. AJUSTE INICIAL". Si no se realiza ningún ingreso durante alrededor de 20 segundos, el reloj retorna automáticamente a la visualización normal. Presione cualquier botón para retornar manualmente a la visualización normal.

## §16. AJUSTE INICIAL

Si el ajuste inicial no se ha realizado completamente, ninguna de las funciones de este reloj trabajará correctamente. En este caso, habrá que realizar la reposición completa y el ajuste inicial de acuerdo con los procedimientos siguientes.

\* Estas instrucciones deben siempre ser completadas cuando las pilas nuevas son instaladas.

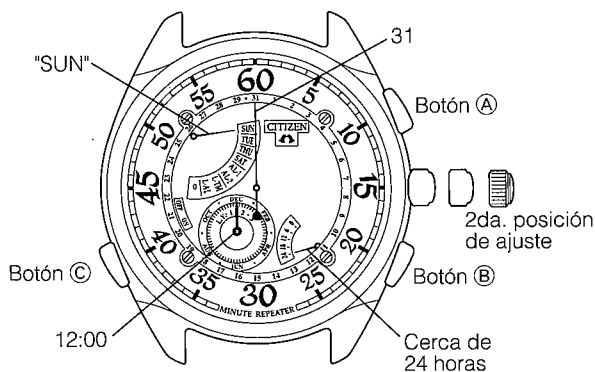
### <Reposición completa>



- (1) Tire de la corona hacia afuera a la 2da posición de ajuste (visualización de manecilla de modo: 0).
- (2) Presione y mantenga presionado todos los botones simultáneamente durante más de 2 segundos.
- (3) Suelte todos los botones y las manecillas de fecha, de día, de hora local, y de AM/PM para reposicionar las manecillas del reloj.

El zumbido de confirmación (A) sonará al completarse esta operación.

### <Operaciones de ajuste inicial>



#### [Corona está en la 2da. posición de ajuste]

- (1) Presione el botón (A) para ajustar la manecilla de fecha a la posición "31" (12 en punto).
- (2) Presione el botón (B) para ajustar la manecilla de hora local a la posición de las 12 en punto y manecilla de AM/PM de cerca de 24 horas.
- (3) Presione el botón (C) para ajustar la manecilla de día a "SUN".

La manecilla de día puede no alinearse precisamente con la marca SUN pero esto no ocurre durante las operaciones de reloj normal.

Ajuste la manecilla de día a "SUN" aun si la manecilla está en "SUN" desde el principio.

- (4) Empuje la corona hacia adentro a la posición normal para completar los procedimientos de ajuste.

La manecilla de AM/PM se moverá automáticamente a la posición "0 horas".

\* Después de ajustar las manecillas a la posición inicial, primero refiérase a "§5. AJUSTANDO LA HORA", para ajustar las manecillas del reloj a la hora correcta.

Luego, refiérase a "§6. AJUSTANDO EL CALENDARIO", y ajuste el calendario a la fecha correcta.

## §17. COMPROBACIÓN DE MOVIMIENTO

### 1. La manecilla de fecha avanza rápidamente en sentido horario



- Cuando la manecilla de fecha avanza rápidamente en una dirección horaria, esto indica que el "ajuste de hora" entre el reloj principal y reloj secundario no fue completada exitosamente. Para mayores instrucciones, vea la parte titulada "§5. AJUSTANDO LA HORA". (Indicación de advertencia de ajuste de hora sin completar)

### 2. La manecilla de fecha avanza rápidamente en sentido antihorario

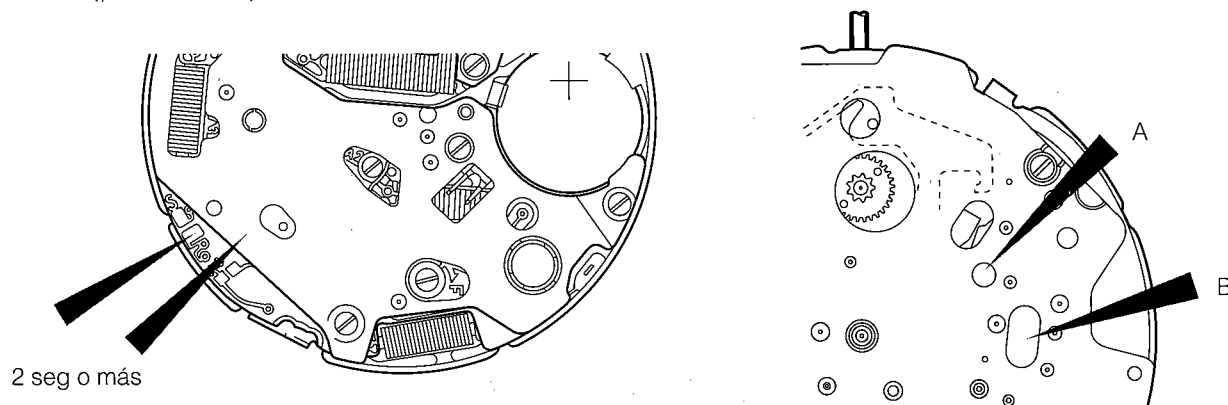


- Cuando la manecilla de fecha avanza rápidamente en una dirección antihoraria, esto indica que el ajuste inicial no fue completada exitosamente. Para mayores instrucciones, vea la parte titulada "§16. AJUSTE INICIAL". (Indicación de advertencia de ajuste inicial sin completar)

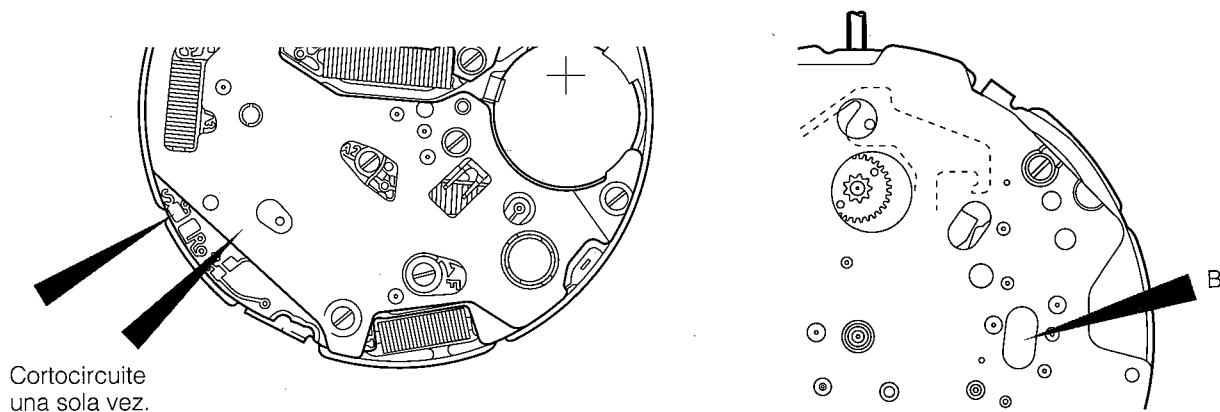
## §18. PROCEDIMIENTO DE FIJACIÓN DE LAS MANECILLAS

### 1. Preparativos para la Fijación de las Manecillas

- (1) Confirme si la manecilla está extraída hasta la segunda posición.
  - Mantenga la corona en la segunda posición hasta que la manecilla del día, la manecilla de L/T, la manecilla de los minutos, y la manecilla AM/PM se hayan encajado.
- (2) Realice la reposición completa
  - Cortocircuite el patrón R del circuito electrónico compuesto con el puente de rodaje (o la placa protectora) con unas pinzas durante 2 segundos o más.
  - La operación de reposición total (AR) se realizará unos 10 segundos después de haber extraído las pinzas (espere durante 10 segundos por lo menos).
  - Confirme si la operación de reposición completa se ha iniciado observando el movimiento de las ruedas (lado de la esfera) a través del orificio de comprobación (parte A o B).



- (3) Confirme la operación de las manecillas encajadas (entrada del terminal S).
  - Cortocircuite el patrón S del circuito electrónico compuesto con el puente de rodaje (placa protectora) con unas pinzas.
  - Cerciórese de realizar el cortocircuito una sola vez. Si lo realice dos veces por error, repita el procedimiento desde el paso 2 (reposición completa).
  - Esta operación se completará en aproximadamente 1 minuto. (Espere durante 1 minuto por lo menos.)
  - Confirme esta operación observando el movimiento del tren de rodaje a través del orificio de comprobación (parte B).

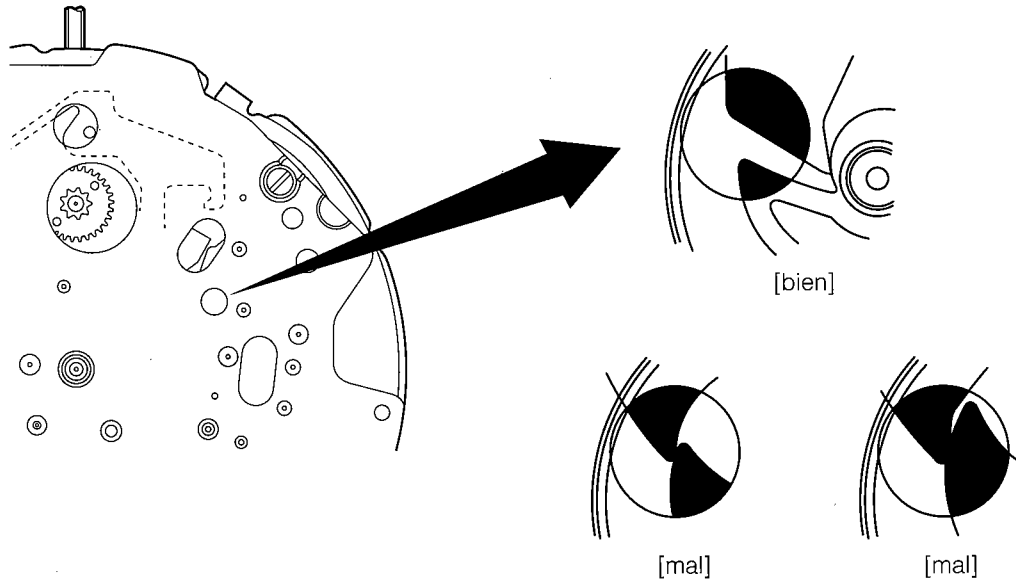


(4) Repita los pasos (2) y (3)

- Finalidad: Para aumentar la precisión de la ubicación inicial de las manecillas de la hora y los minutos de hora local (TM Local).

(5) Confirme las posiciones de fijación de las manecillas.

- Confirme si ha realizado con seguridad los pasos (1) – (4).
- Confirme si las ruedas intermedias de la hora local I y II están ubicadas como se muestra a continuación a través del orificio de comprobación.



## 2. Fijación de la Esfera

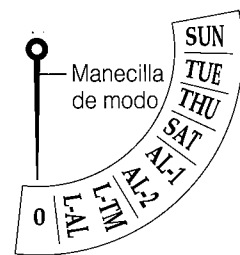
(1) Coloque la esfera en el módulo.

## 3. Fijación de las Manecillas

(1) Fijación de la manecilla del día.

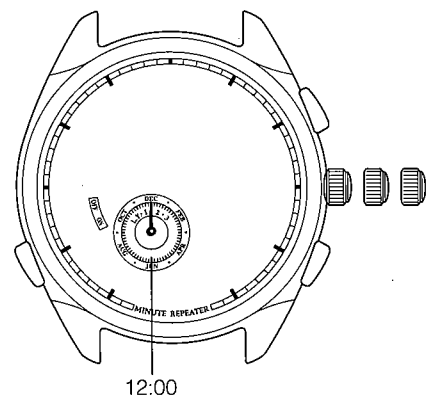
- Fije la manecilla en el centro de [0] en el modo de corrección.
- Compruebe la posición de fijación de la manecilla del día. En cualquier caso, si la manecilla del día puede ponerse en SUN presionando el botón © cuatro veces como máximo, estará correctamente fijada.

**Nota:** Si la posición de fijación de la manecilla del día (manecilla de modo) no es correcta, o no puede colocarse en su posición inicial (SUM), reinstálela. En este caso, realice sin falta los pasos (1) – (3) de “1. Preparativos para fijación de las manecillas”.



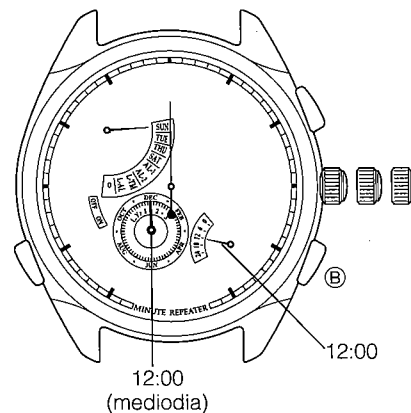
(2) Fijación de las manecillas de la hora y los minutos de hora local

- Fije la manecilla de la hora Posición de las 12:00
- Fije la manecilla de los minutos Posición de las 12:00



(3) Fijación de la manecilla de AM/PM

- Confirme las posiciones de las manecillas de la hora y los minutos de hora local en las 24:00.
  - a. Presione el botón **(B)** para hacer que las manecillas de la hora local giren hasta la posición de las 12:00 del medio día.
  - b. Fije la manecilla AM/PM en la posición de las 12.



(4) Fijación de la manecilla de los segundos

- Fije la manecilla de los segundos en la posición de 0 segundos.

(5) Fijación de las manecillas de la hora principal

- Fije las manecillas de la hora y los minutos en la forma normal.

(6) Fijación de la manecilla de la fecha

- Fije la manecilla de la fecha en la posición del día 31 (las 12:00).

#### 4. Montaje del Módulo en la Caja

### §19. REEMPLAZO DE LA PILA

- \* Para reemplazar la pila, extraiga los dos tornillos y la placa apantalladora.

Cuando reemplace la pila, cerciórese de medir el consume de corriente con el modulo en la caja.

- \* Después de haber reemplazado la pila, cerciórese de ajustar el reloj realizando las operaciones de reposición total, ajuste inicial, ajuste de la hora, y ajuste del calendario, por este orden.

**Nota:** Si la manecilla del día no puede ajustarse a "SUN" para el ajuste inicial, realice de nuevo la operación de reposición total y presione dos veces el botón **(C)**. Después, realice de nuevo las operaciones de reposición total, ajuste inicial, ajuste de la hora, y ajuste del calendario, por este orden.

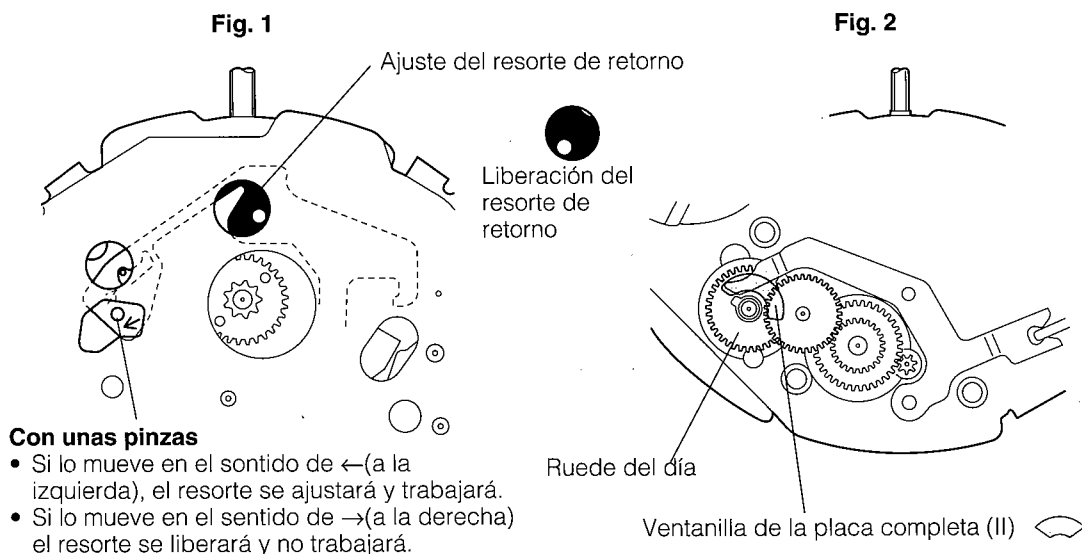
## §20. PRECAUCIONES PARA EL DESMONTAJE Y EL MONTAJE

### <Desmontaje>

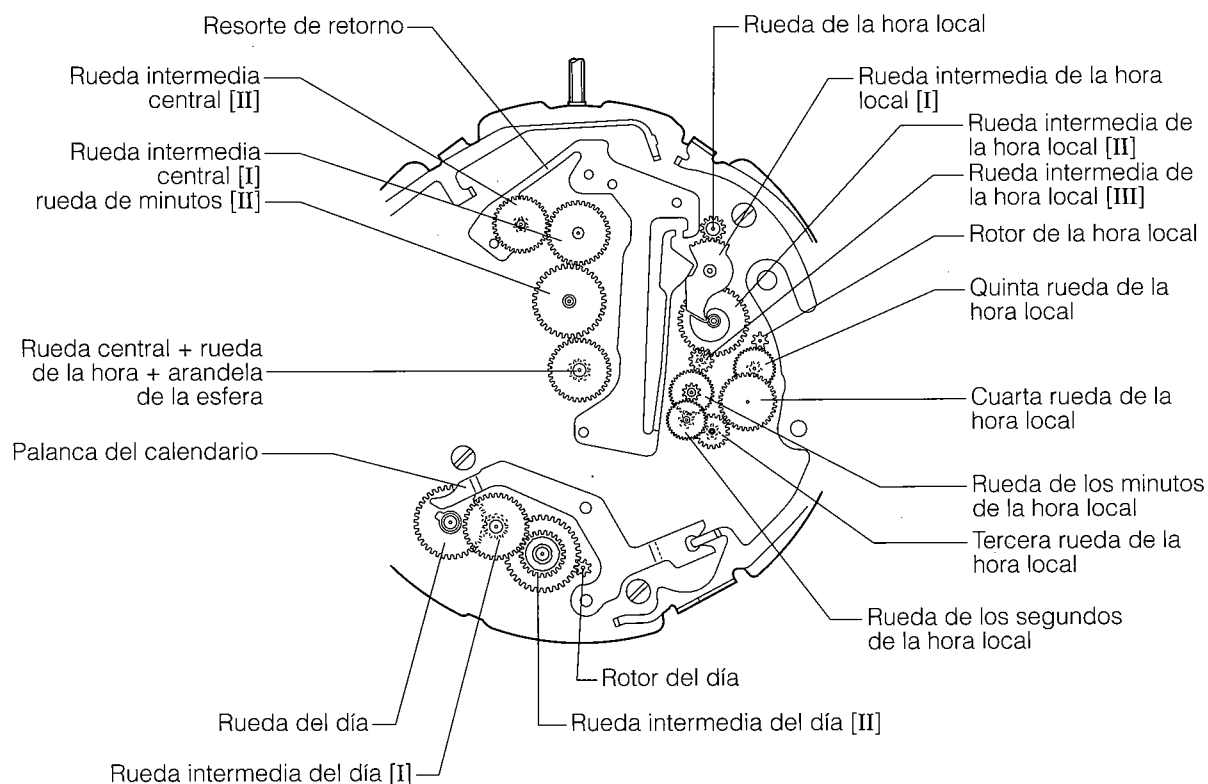
- \* Antes de extraer la placa inferior, suelte el resorte de retorno. (Vea "Liberación del resorte de retorno" de la Fig. 1.)
- \* Haga palanca en la rueda central intermedia y el piñón (II) con un destornillador.

### <Montaje>

- \* Coloque el saliente debajo de la rueda del día en la ventanilla de la placa (II). (Vea la Fig. 2.)
- \* Después de haber instalado la placa inferior, enganche el resorte de retorno de forma que no trabaje. (Vea ajuste del resorte de retorno de la Fig. 1.)



### <disposición de las Ruedas del Lado de la Esfera>





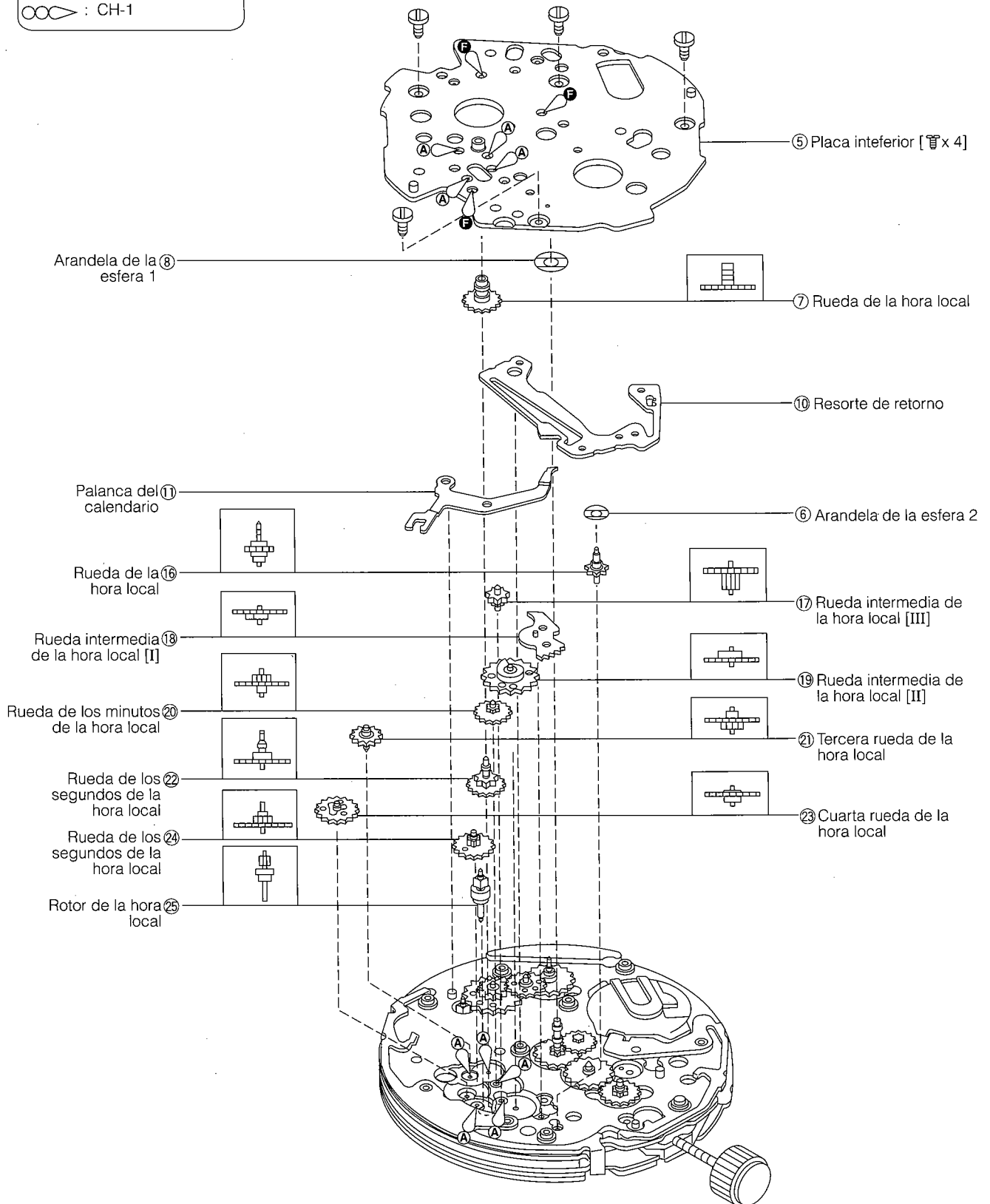
# §21. DESMONTAJE Y MONTAJE DEL MÓDULO

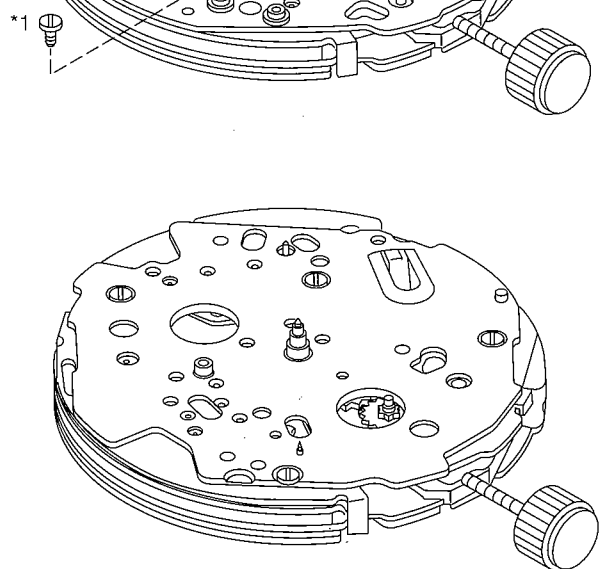
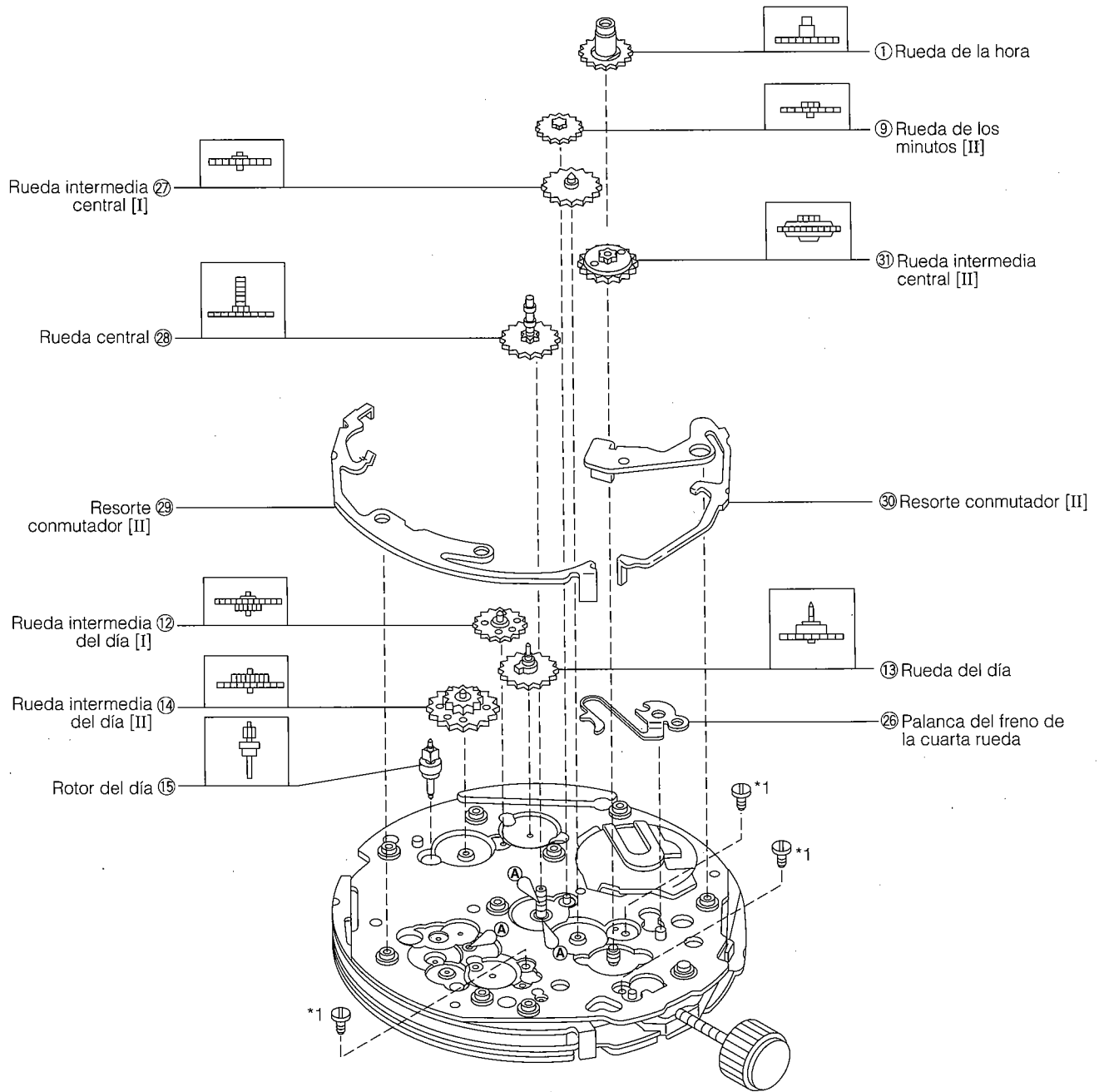
Procedimiento de desmontaje: ① → ④⑧

Procedimiento de montaje: ④⑧ → ①

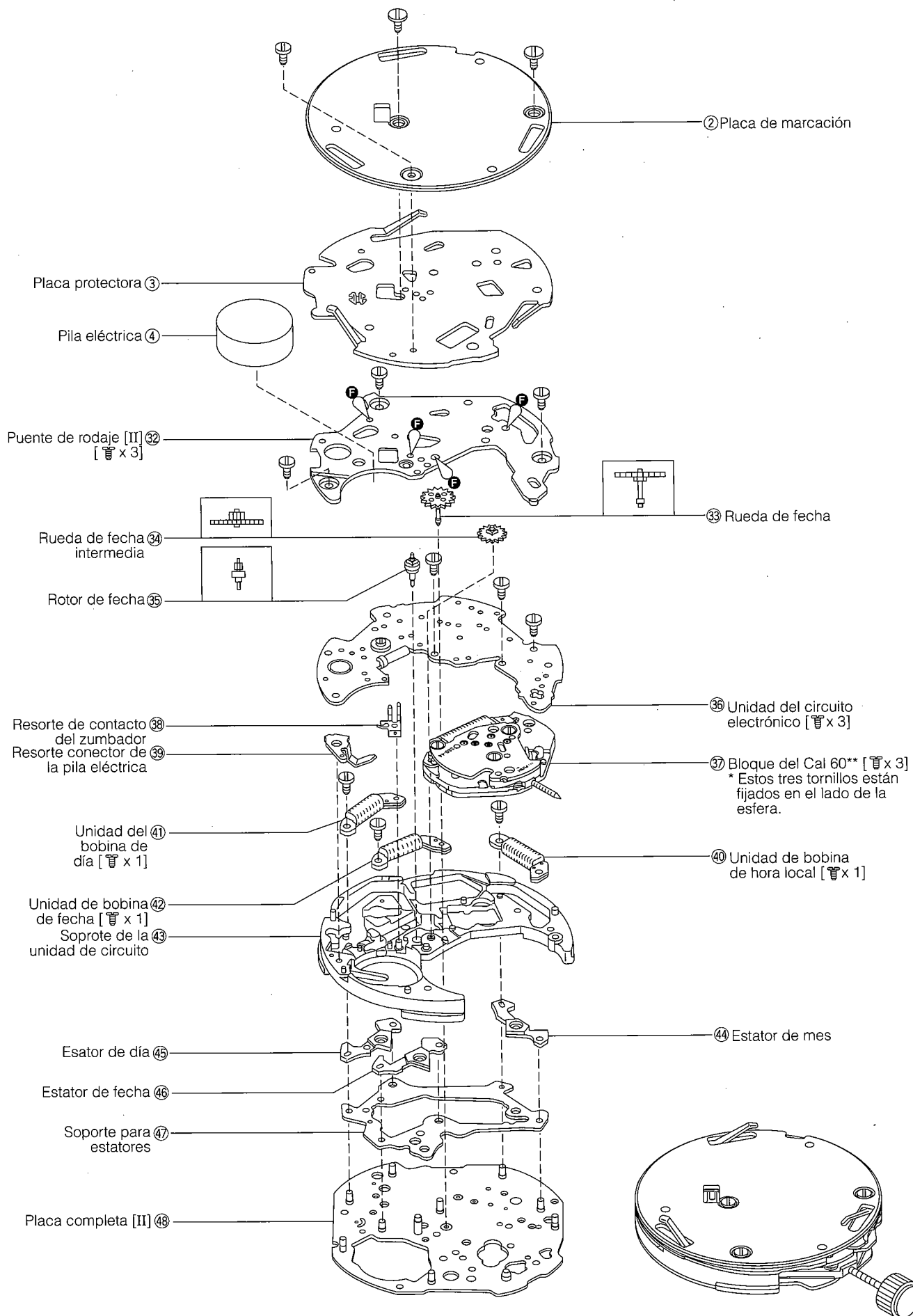
● Marcas de lubricación

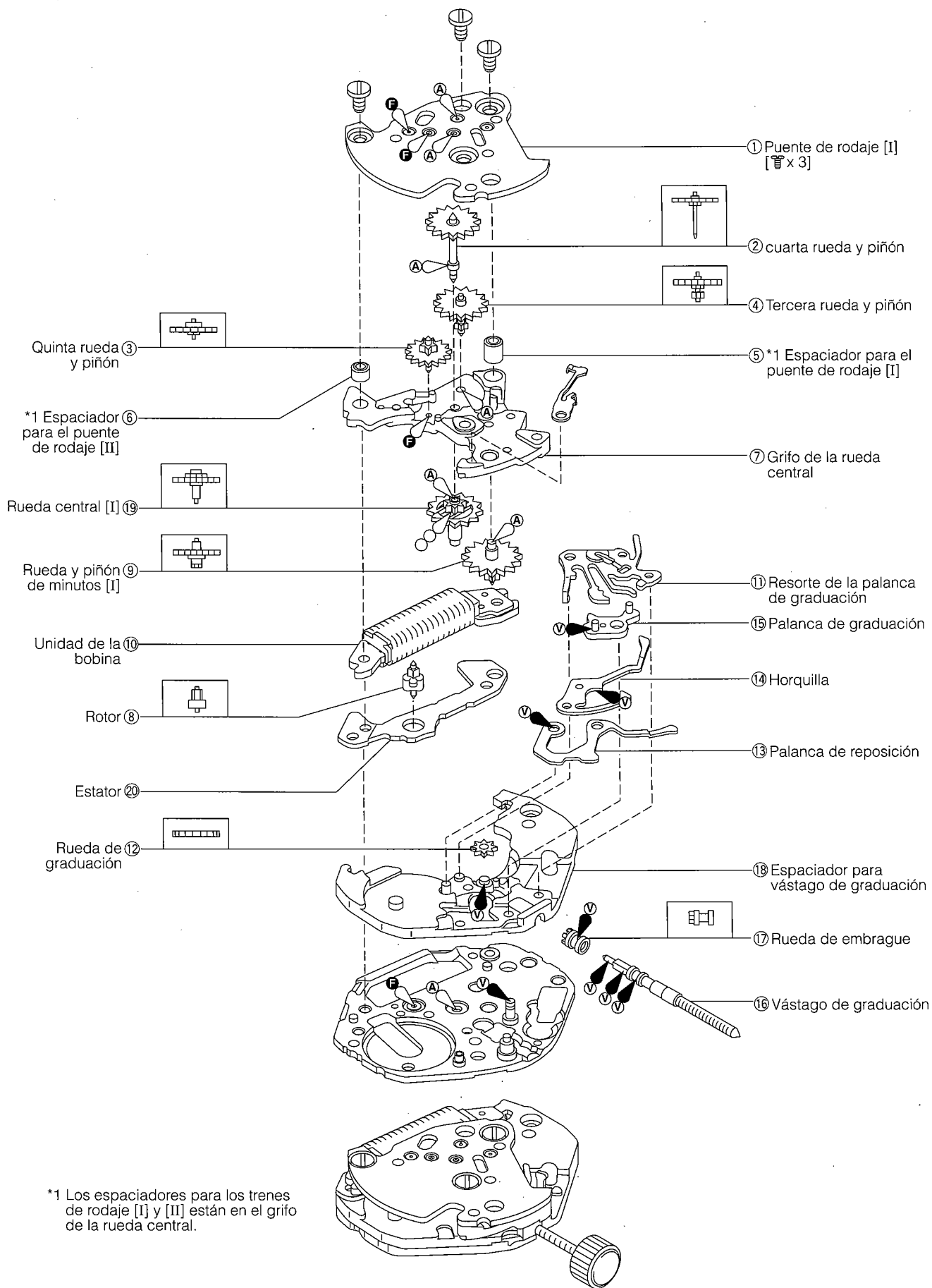
- Ⓐ : Aceite lubricación A
- Ⓥ : Aceite lubricación V
- Ⓕ : Aceite lubricación F
- ∞∞ : CH-1



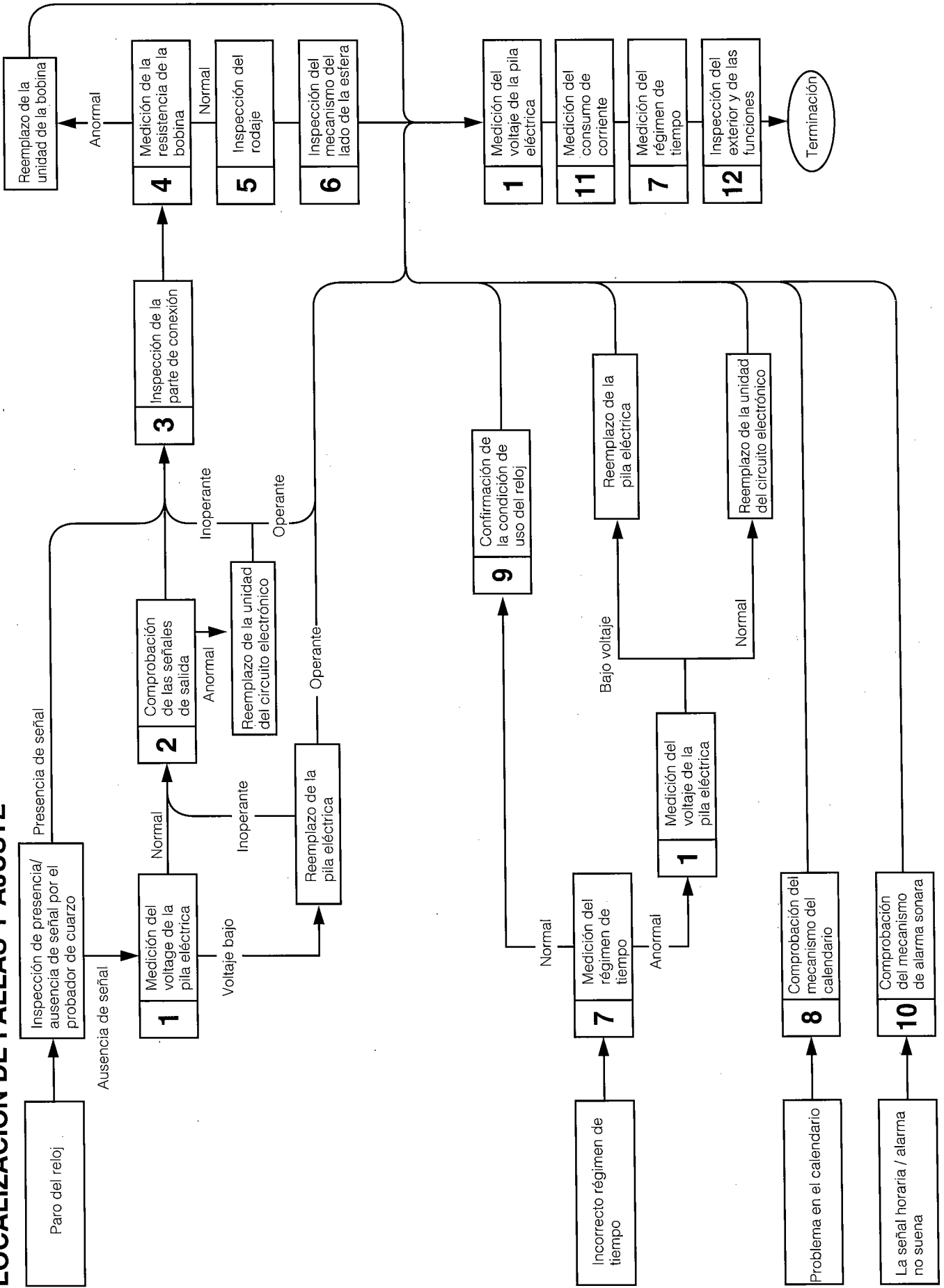


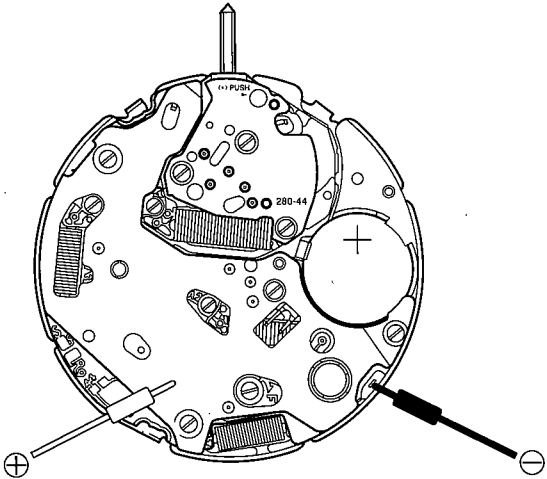
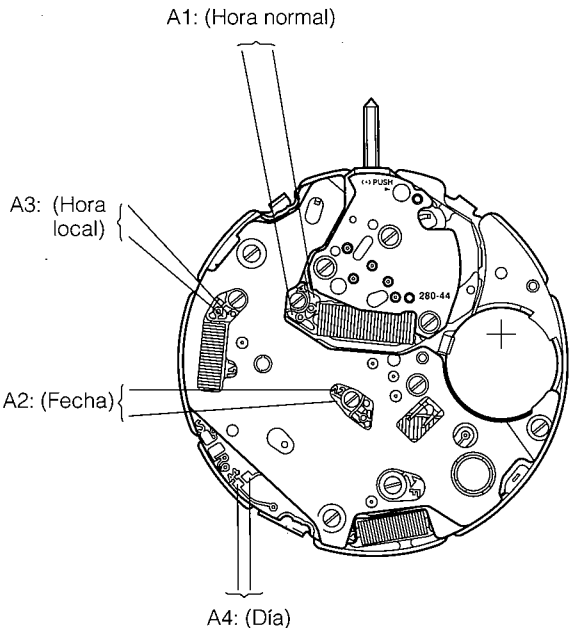
\*1. Tornillos de la placa completa [I]  
 Después de haber extraído el resorte conmutador [I], extraiga estos tres tornillos.

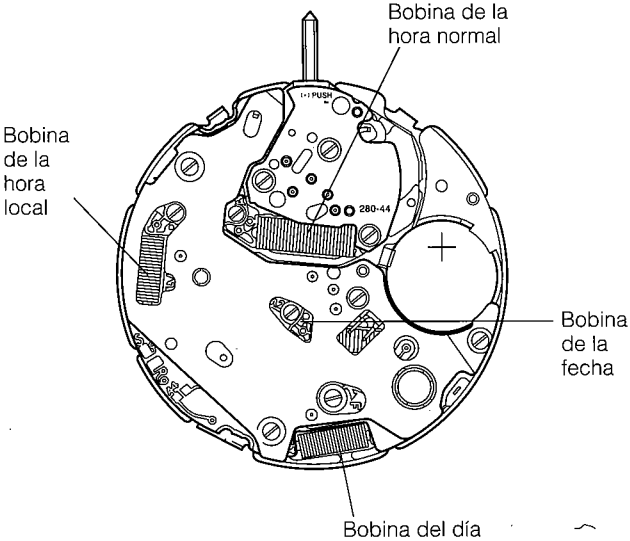




## §22. LOCALIZACIÓN DE FALLAS Y AJUSTE

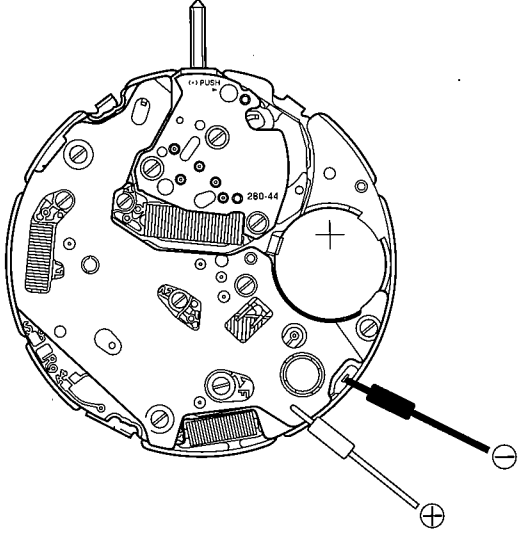


Ítemes de comprobación	Método	Resultando y procedimiento de reparación
<p>1 Medición del voltaje de la pila eléctrica</p>	<p>* Con respecto al procedimiento de ajuste del polímetro, consulte el Manual Técnico, Curso básico II-1-a.</p> <p>&lt;Escala del polímetro: DC 3V&gt;</p> 	<ul style="list-style-type: none"> <li>• Más de 1,5V → Correcto</li> <li>• Menos de 1,5V → Reemplace la pila eléctrica.</li> </ul>
<p>2 Inspección de la señal de salida.</p>	<p>* Con respecto al procedimiento de ajuste del polímetro, consulte el Manual Técnico, Curso básico II-1-b.</p> <p>Método de medición</p> <ul style="list-style-type: none"> <li>• Mida la señal de salida de A1 con la corona en la posición normal.</li> <li>• Cuando mida A2, A3, y A4 mantenga presionados, respectivamente, los botones (A), (B), y (C).</li> </ul> <p>* Mida con el módulo instalado en la caja.</p> <p>&lt;Escala del polímetro: DC 0,3V&gt;</p> 	<ul style="list-style-type: none"> <li>• Señal de salida de A1 (Hora normal) La aguja del polímetro oscila a intervalos de 1 seg. → Correcto</li> <li>• Señal de salida de A2 (fecha)</li> <li>• Señal de salida de A3 (Hora local)</li> <li>• Señal de salida de A4 (Día) La aguja del polímetro oscila. → Correcto</li> </ul>

Ítem de comprobación	Método	Resultando y procedimiento de reparación
<p>3 Inspección de la parte de conexión</p>	<p>* Con respecto a la parte analógica, consulte el Manual Técnico, Curso básico II-2-a.</p> <p>Si la señal de salida no puede obtenerse para comprobación, es posible que haya polvo entre la unidad del circuito electrónico y cada pieza.</p> <p>Cuando los tornillos de fijación de la unidad del circuito electrónico estén flojos, es posible que no pueda obtenerse la señal de salida. Apriete bien los tornillos.</p>	<ul style="list-style-type: none"> <li>• Polvo y suciedad → Elimínelos</li> </ul>
<p>4 Medición de la resistencia de la bobina</p>	<p>* Con respecto al procedimiento de ajuste del polímetro, consulte el Manual Técnico, Curso básico II-1-c.</p> <p style="text-align: center;">&lt;Escala del polímetro: R x 10Ω&gt;</p>  <p>Bobina de la hora normal</p> <p>Bobina de la hora local</p> <p>Bobina de la fecha</p> <p>Bobina del día</p>	<p>Resistencia</p> <ul style="list-style-type: none"> <li>• Unidad de la bobina de la hora normal 2,0 kΩ ~ 2,5 kΩ → Correcto</li> <li>• Unidad de la bobina de hora local/unidad de la bobina de fecha/unidad de la bobina de día 1,3 kΩ ~ 1,7 kΩ → Correcto</li> </ul>
<p>5 Inspección del rodaje</p>	<p>* Consulte el Manual Técnico, Curso básico II-2-c.</p> <ol style="list-style-type: none"> <li>1. Confirme que todos los engranajes se engranen suavemente.</li> <li>2. Confirme que la palanca de reposición trabaje con seguridad.</li> <li>3. Confirme que todas las piezas estén adecuadamente lubricadas.</li> </ol>	
<p>6 Inspección del mecanismo del lado de la esfera (Calendario)</p>	<p>* Consulte el Manual Técnico, Curso básico II-2-c.</p>	

Ítems de comprobación	Método	Resultando y procedimiento de reparación
<p>7 Medición/ajuste del régimen de tiempo</p>	<p>* Consulte el Manual Técnico, Curso básico II-2-d. Mida el tiempo con el polímetro CITIZEN QUARTZ TESTER y, si es necesario, ajústelo.</p> <ul style="list-style-type: none"> <li>• Medición del régimen de tiempo</li> <li>• Ajuste del régimen de tiempo</li> <li>• Ajuste el régimen de tiempo con el condensador de ajuste.</li> </ul> <p><b>No mida el régimen de tiempo bajo la luz solar directa ni la de una lámpara fluorescente. Si lo hiciese, el régimen de tiempo podría diferir o la medición resultaría incorrecta.</b></p>	
<p>8 Comprobación del mecanismo del calendario</p>	<p>Si el calendario no es correcto, presione el botón © durante unos 3 segundos (con la corona en la posición normal), las manecillas del calendario se moverán rápidamente, y después se pararán (durante unos 10 segundos). En este momento, confirme si las manecillas se encuentran en las posiciones siguientes:</p> <ul style="list-style-type: none"> <li>• Manecillas del año/mes y de la fecha: Posición de las 12 en punto (superior)</li> <li>• Manecilla del día (Manecilla de modo: Posición SUN)</li> </ul>	<ul style="list-style-type: none"> <li>• Las manecillas del calendario no se encuentran en las posiciones iniciales. → Realice el ajuste inicial.</li> </ul>
<p>9 Inspección de las condiciones de uso</p>	<p>* Consulte el Manual Técnico, Curso básico II-2-e.</p>	
<p>10 Comprobación del mecanismo de sonido de alarma</p>	<ul style="list-style-type: none"> <li>• Compruebe si el resorte de contacto del zumbador está deformado.</li> <li>• Compruebe si el elemento piezoeléctrico está rajado o roto.</li> </ul>	<ul style="list-style-type: none"> <li>• Si encuentra algún problema en la comprobación, reemplace la pieza averiada.</li> <li>• Si no encuentra ningún problema, reemplace la unidad piezoeléctrica.</li> </ul>



Ítems de comprobación	Método	Resultando y procedimiento de reparación
<p>11 Medición del consume de corriente</p>	<p>* Con respecto al procedimiento de ajuste del polímetro, consulte el Manual Técnico, Curso básico II-1-f. &lt;Escala del polímetro: D.C. 12μA&gt;</p>  <p>* Precauciones para la medición del consume de corriente:</p> <ol style="list-style-type: none"> <li>Este reloj dispone de un circuito compensador de carga. Este función trabajará durante 10-30-seg después de haber colocado la pila. En este momento, se indicará "consume anormal de corriente". En tal caso, espere 30 seg por lo menos a fin de medir correctamente.</li> </ol> <div style="border: 1px solid black; padding: 5px; margin-top: 10px;"> <p><b>Influencia de luz</b>  <b>Evite la medición del consume de corriente bajo una lámpara incandescente o a la luz directa del sol, ya que esto puede causar aumento del valor de consume de corriente.</b>  <b>La luz de la lámpara fluorescente no afecta el valor de consume de corriente.</b></p> </div>	<ul style="list-style-type: none"> <li>Menos 1,3 μA → Normal.</li> <li>Realice esta prueba con el módulo en la caja. Mida el consume de corriente con las puntas de prueba aplicadas.</li> </ul> <ol style="list-style-type: none"> <li>Extraiga la corona hasta la segunda posición.</li> <li>Mantenga simultáneamente presionados los tres botones durante 2 segundos por lo menos (reposición total).</li> <li>Presione repetidamente el botón © 2 o 3 veces.</li> <li>Devuelva la corona a su posición normal y vuelva a extraerla hasta la segunda posición.</li> <li>Devuelva la corona hasta la posición normal, y podrá medir la corriente consumida por el módulo en condiciones normales.</li> </ol> <p>* Cerciórese de realizar el ajuste inicial después de haber medido el consume de corriente.</p>
<p>12 Comprobación del aspecto y las funciones</p>	<p>* Consulte el Manual Técnico, Curso Básico II-2-f.</p> <ol style="list-style-type: none"> <li>Confirme que no haya polvo, suciedad, etc. en la esfera.</li> <li>Confirme que la corona trabaje normalmente.</li> </ol>	<ul style="list-style-type: none"> <li>Si encuentra algún problema en la comprobación, reemplace la pieza averiada.</li> </ul>





**CITIZEN WATCH CO.,LTD.**  
Tokyo, Japan